

NM100 SERIES SYSTEM INSTALLATION

READ AND SAVE THESE INSTRUCTIONS

CAUTION

TO REDUCE THE RISK OF FIRE, ELECTRIC SHOCK, OR INJURY TO PERSONS, OBSERVE THE FOLLOWING:

1. Read all instructions carefully before installing or using the NM100 System.
2. The NM100 must be installed by a qualified dealer or installer, and must conform to all local building and electrical codes.
3. For continued protection against risk of fire replace the fuse in the power switch module only with the same type 3 Amp, 250 Volt fuse.
4. Adhere to all warnings on the NM100 and in these instructions. Follow all operating and installation instructions.

WARNING

THESE INSTALLATION INSTRUCTIONS ARE FOR USE BY QUALIFIED PERSONNEL ONLY. TO REDUCE THE RISK OF ELECTRIC SHOCK, DO NOT PERFORM ANY SERVICING OTHER THAN THAT CONTAINED IN THE OPERATING INSTRUCTIONS UNLESS YOU ARE QUALIFIED TO DO SO.

- Do not attempt to service the NM100 yourself as opening or removing covers may expose you to dangerous voltage or other hazards. Refer all servicing to qualified service personnel.

The lightning flash with arrowhead symbol within an equilateral triangle is intended to alert the user to the presence of uninsulated "dangerous voltage" within the product's enclosure that may be of sufficient magnitude to constitute a risk of shock to persons.

The exclamation point within an equilateral triangle is intended to alert the user to the presence of important operating and maintenance (servicing) instructions in the literature accompanying the product.

- Locate the system away from heat sources such as radiators, heat registers, stoves, or other heat producing products.
- Do not locate the NM100 master or remote stations in an outside wall.
- Do not expose the NM100 to moisture. Doing so can create fire or shock hazards and void the warranty.
- Do not place the NM100 master or remote stations in any wall cavity with any other electrical wiring in the cavity.
- Install the NM100 system after application of the wall covering material.
- Do not expose the outdoor remote station speakers to significant water contact. The outdoor remote speakers are weatherproof but not waterproof. Continuous direct water exposure will cause system problems.

- Do not connect a remote or door station wire if you are unsure of its terminating point. Connecting a door station to a remote station may result in system damage.
- Do ensure that all rough-in instructions have been followed before power is applied to the NM100 system.
- Do not splice cables. Splices are unreliable and defeat the signal isolation properties of the cable.
- Do not attach devices unauthorized for use with this system. Authorized devices include:
Audio components connected via a line level input
NC300 6-disc player
- If extra cables have been run for future speaker additions, care must be taken to ensure these cables are not connected to the NM100 master unit. Un-terminated cables (no station) connected to the NM100 master may cause electrical feedback that will damage the master station.
- Do not over-tighten the screws for the remote stations or master as the plastic face panels may crack or strip out.
- Use only NuTone certified replacement parts and have them installed by a NuTone dealer or installer. Unauthorized substitutions can result in fire, electric shock, or other hazards.
- Upon completion of any service or product repair, have the dealer or installer conduct a safety check to ensure the system is in proper operating condition.
- Use only a damp cloth to clean the NM100 master and remote stations. Do not use liquid cleaners or aerosol cleaners.

CAUTION: WIRING

- A qualified electrician must run a 120V AC line to the NM100 retrofit transformers.
- Individual wire runs should not exceed more than 350 FEET of wire from any single remote station to the NM100 master or 1000 total feet for the entire system.
- Label all wiring runs. Connecting the wires to the NM100 master, remote station or door stations incorrectly may result in system damage.
- Run a single cable from the master unit location to each remote station and door station in a "home run" fashion. Do not loop cable from one remote station to another.
- Do not staple cables. Staples cause shorts.
- Do not splice cables. Splices are unreliable and defeat the signal isolation properties of the cables.
- Do not run electrical wires through the rough-ins. If you encounter 120VAC wires running through a rough-in during a retrofit you must have a qualified electrician rerun those wires around the rough-in.

- Keep cables at least 18 inches from fluorescent light fixtures, dimmer controls, and all other wiring. This includes AC wiring, security cable, cordless phone units, and other control wires. These can cause a “hum” or “buzzing” sound.
- Keep cables away from objects such as heating and air conditioning ducts, metal construction plates, and anything else with sharp edges that can damage the cables.

CAUTION: REMOTE STATION ROUGH-IN

Careful consideration should be used when determining the location of the remote stations and master. Since this is a retrofit system you will not be able to control the location of the existing system. But please follow the guidelines below if you install any new locations:

- Do not install remote stations in return air ducts.
- Do not install remote stations in exterior walls. Insulation materials will change speaker range and efficiency. Temperature changes in the wall will reduce speaker life.
- Do not install remote stations in saunas. They will not withstand the extreme heat and moisture.
- Do not install remote stations in stud cavities with other wiring or appliances.
- Do not install remote stations within 18” of dimmers, fluorescent light fixtures, security wiring, cordless phone units, and other control wiring.
- Do not install remote stations within 10 feet of other remote stations or the NM100 master unit. This will cause acoustic feedback.
- Do not install remote stations in stud cavities with other remote stations or the NM100 master unit. This will cause acoustic feedback.
- Do not install remote stations facing other remote stations or the NM100 master unit. This will cause acoustic feedback.
- Do make sure all rough-ins are level and oriented as shown in these instructions.

INSTALLATION

Designed to update older intercom systems, the NM100 is a whole-house music communications system that uses your existing intercom 3 or 4 conductor system wire. It is designed to provide years of enjoyment and service to the homeowner.

To ensure that the homeowner receives the high-quality music and voice reproduction that the system is designed to deliver, it is important that each step of the installation be done carefully. In the event you need troubleshooting installation assistance, please call our technical staff at 1-888-336-6151.

Prior to installing the NM100 system, read and observe the Important Safety Instructions.

The NM100 retrofit installation is completed using the following steps:

- Develop the job estimate
- Removal of the old intercom system
- Install the NWH300 or NWH300C rough-in

- Replace the remote stations (Note: do not remove the existing remote station rough-ins)
- Install the optional NC300 player
- Install the NM100 master and make all remote station connections
- Test the system

The following tools are required for the NM100 installation. The use of these or other tools is dependent on the existing intercom system installation:

- #2 Phillips screwdriver
- Wire stripper/cutter
- Tape measure
- Level
- Tin Snips
- Digital Multimeter (dmm)
- Small (or precision size) Philips/Flat head screw driver
- Power drill with 1” auger
- Small Crowbar
- Large Flat head screw driver
- Rubber mallet
- Extension cord
- Wood chisel
- Dry wall saw

You may not need to use all these tools on each install but having them handy will make the overall installation process easier.

DEVELOP THE JOB ESTIMATE

It is critical that you determine the complexity of each retrofit installation prior to developing the job estimate. It is hard to predict all the unique situations you will encounter in the field. For this reason NuTone recommends you visit each retrofit site prior to developing a job estimate and ordering equipment. During this onsite visit it is recommended that you complete the items listed below:

- Determine the model number and manufacturer of the existing intercom system.
- Count the number of remote stations and door stations.
- Determine if the door stations and outdoor remote stations are surface or flush mount.
- Remove the master from the wall to see if any non-standard installation situations might exist, including:
 - Electrical running through the rough-in.
 - Telephone wires running through the rough-in.
 - Stud spacing that varies from a standard 16” on center spacing
 - The type of wire used for indoor remote, door and outdoor remote station runs (NuTone, M&S or other such as telephone wire). If you encounter non-standard wire contact our Technical Support team at 1-888-336-6151 for assistance.
 - A remote transformer
 - A remote door chime

The answers to the above information will help you scope, price and install the retrofit system.

REMOVING THE OLD SYSTEM

Prior to removing the existing intercom system make sure all power is turned off at the intercom location. Remove the screws from the intercom master and while removing the intercom, make sure to carefully label each wire with its corresponding room location. Disconnect all the remote station and door station wires from the master. Then carefully remove the existing wall housing and transformers.

If the existing system was not working prior to replacement, check each wire run between the remote stations and master for shorts and wiring integrity. If one of these remote station to master wire runs has a short, re-run that wire prior to installing the NM100. When replacing NuTone 3 wire cable runs, use NuTone IWA3 cable. When replacing NuTone or M&S 4 wire cable runs, use NuTone NW4S cable.

Note: if you encounter 120VAC running through the existing rough-in, have a qualified electrician reroute the 120VAC around the rough-in.

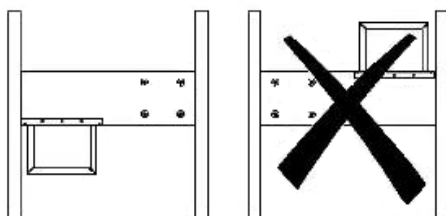
If you encounter a remote transformer, an additional electrical run may have to be made by a qualified electrician to power the master station and/or optional CD player. Also check to make sure that the area around the housing is clear of any additional 120VAC runs or other obstructions.

INSTALLING THE ROUGH-IN

The NWH300 and NWH300C rough-ins are designed for 16" on center studs. In retrofit applications you may encounter stud spacing that varies from this standard. Use the NWH300 rough-in when you are replacing an existing system with an intercom only system. The NWH300C rough-in is used for combination systems only that use the NM100 master and the optional NC300 6-disc CD player.

Locate the NWH300 or the NWH300C rough-ins. The rough-in must be positioned so that the transformers are on the bottom of the rough-in as shown in the figure below.

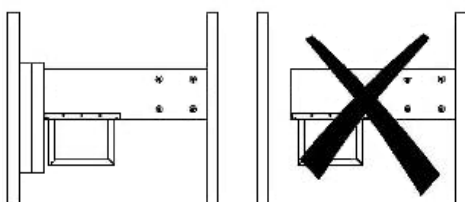
Transformer orientation



CORRECT

WRONG!

Secure on both sides



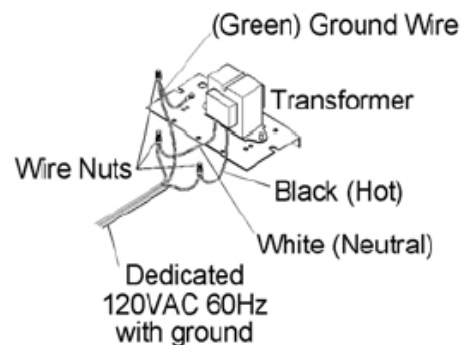
CORRECT

WRONG!

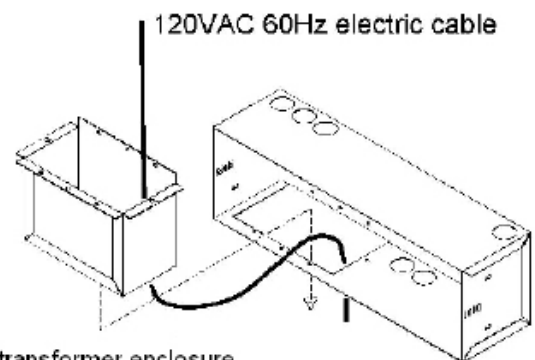
If you are replacing the existing master only system with a combination NM100 master and NC300 CD changer you will have to cut the rough-in opening larger to accommodate the larger rough-in. Prior to making the cutout check the stud cavity for obstructions or items in the wall that may prevent the transformers from fitting in the wall. The NWH300 and NWH300C transformers drop in from the bottom of the rough-in. Please refer to the next figure for rough-in placement.



Connect the existing, dedicated 120VAC/60Hz line with ground connection from the power panel to the rough-in as shown below. The NM100 requires a dedicated power source to assure no interference from other equipment caused by looped power circuits. The ground is necessary for proper radio reception.

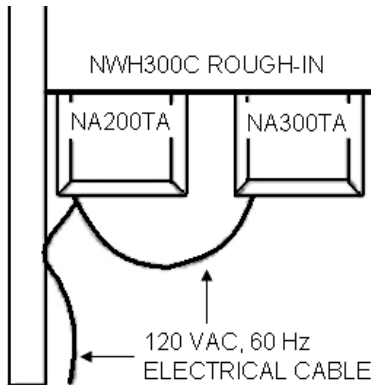


Place transformer enclosure from the inside of the wall housing into the transformer enclosure opening at the bottom of the rough-in as shown below. Do not run the 120VAC through the rough-in.



Install transformer enclosure from INSIDE NWH300 rough-in

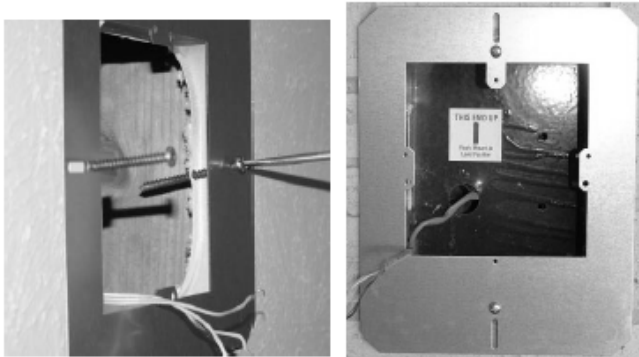
For the NWH300C Master Station and CD combination rough-in, have a qualified electrician loop a power wire from the NA200TA transformer enclosure to the NA300TA transformer enclosure following the same procedure described previously and shown in the next figure.



REPLACING THE ROOM STATIONS

The remote and door stations use the existing wire and station rough-in mounting frames or boxes. To replace the station, first remove the old station. Leave the existing remote or door station rough-ins in place.

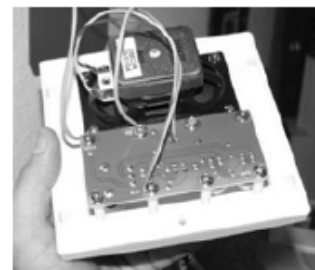
After removing the remote station verify the integrity of the wire run. Then install the mounting plate from the NF300RWH frame. Align the plate on the wall either vertically or horizontally so that the screw holes line up with those on the rough-in or box. Use a level to make sure the plate is level. There are several screw hole locations on the mounting plate so it can attach to many rough-in designs. Mount the plate to the wall using the screws provided.



Next connect the wires to the retrofit remote station. Match the wire colors to the corresponding screw locations on the NRS103WH or NRS104WH remote stations. Please make sure to use only NRS103WH remote stations in a 3-wire installation and NRS104WH remote stations in a 4-wire installation. All 6-wire installations use the NRS200WH remote stations. Please refer to appendix A for a diagram of which NuTone and M&S systems map to the 3, 4 or 6-wire (requires NM200 master) configurations. Refer to the following two charts for the NM100 wiring diagram:

Three-wire Installations

NM100 CONNECTION	NUTONE IWA3 CABLE	WIRE FUNCTION
Black	Blue Stripe or Outside Copper Wire	Intercom Mic Audio Input & Control
Red	Center Wire	Ground
Green	Red Stripe or Outside Silver Wire	Speaker Output/Monitor Mic Input



Four-wire Installations

NM100 CONNECTION	NUTONE 4 CONDUCTOR WITH GRAY JACKET	M&S 4 CONDUCTOR CABLE WITH GRAY JACKET	WIRE FUNCTION
White	Blue Stripe Wire	Silver Outside Gray Wire	Intercom Mic Audio Input
Black	Gray/Copper Wire	Next Copper Outside Gray Wire	Intercom Control
Red	Gray/Silver Wire	Next Copper Outside Gray Wire	Ground
Green	Red Stripe Wire	Outside Copper Outside Red Stripe Wire	Speaker Output/Monitor Mic Input
NM100 CONNECTION	M&S MS4XSC CABLE	NUTONE NW4S CABLE	WIRE FUNCTION
White	White	Red	Intercom Mic Audio Input
Black	Black	Black	Intercom Control
Red	Red	Orange	Ground
Green	Green	Yellow	Speaker Output/Monitor Mic Input

Connect the remote station to the existing wiring using the diagrams above. Place the remote station through the NF300RWH plastic mounting frame. Position the frame either vertically or horizontally depending on the remote station replaced. Place the remote station into the rough-in ring and align the frame with the remote station.

Use the screws provided with the remote station to screw the remote station and frame into place. The holes in the remote station align with the holes in the mounting plate. The remote station keeps the plastic frame in place on the wall.



Note that the plastic frames are paintable. Please prime the plastic first and then apply standard room paint. The white plastic may require two coats of paint to get full coverage. It is recommended that you paint the frame prior to mounting it to the wall.

Important: Please label all cables at both ends. Incorrectly connecting cables to the master, remote stations or door stations could result in system damage.

OUTDOOR REMOTE STATIONS

Do not remove the existing outdoor remote station rough-in. The NuTone retrofit system is designed to fit into the existing enclosure. It is important to note that the outdoor remote stations are weather resistant not water proof. These stations should not be located in an area that is in direct line of water from sprinklers, rain or other devices such as power washers.

Please use the NF300PWH frame in outdoor and high sun areas. The NF300PWH plastic is designed to withstand sun and resist fading. If a patio requires a surface mount application, use the NRKS200PWH. This is a surface mount box and cover that will support the NPS200WH, NPS103WH or NPS104WH outdoor remote stations.

To install an outdoor remote station follow the instructions presented earlier for indoor remote stations.

DOOR STATIONS

Remove the old door station but do not remove the rough-in box or surface mount box. When replacing a NuTone door station you must use the NF300DWH mounting frame. The M&S door station sets in the NF300DWH frame and the screws attach to the existing rough-in. Connect the door station with the corresponding color wires. Screw the door station or door station with NF300DWH frame into the rough-in box.



EXTERNAL MUSIC SOURCE

The NM100 retrofit system supports the use of external music sources. You can use an existing connection or run a new wire to support local source connection. To install a new local source follow the steps detailed in the following paragraphs.

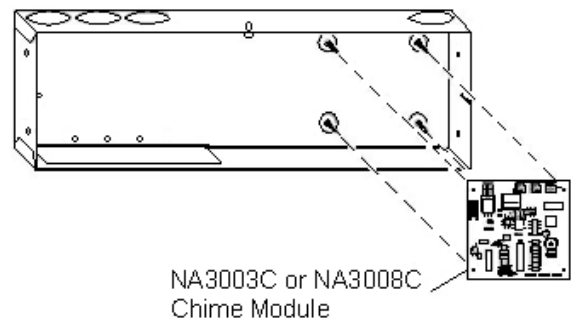
Choose a location for the IA30WH audio wall plate that will be easily accessible to the sources that are to be connected to the system (close to the receiver, TV or DVD player for example). Note: the external source wire run to the NM100 must not exceed 50 feet.

At this location, attach a single gang box included in the IR30K rough-in to a wall stud at a center height of normal wall outlets. Use a low voltage plaster ring in existing construction installations.

Make sure the single gang box extends past the wall stud and into the room so it will be flush with the sheetrock when it is applied. Run the Red and Black shielded audio cables (included in the IR30K) from the master unit location to the IA30WH audio wall plate location. Connect the cables.

INSTALLING THE CHIME MODULE

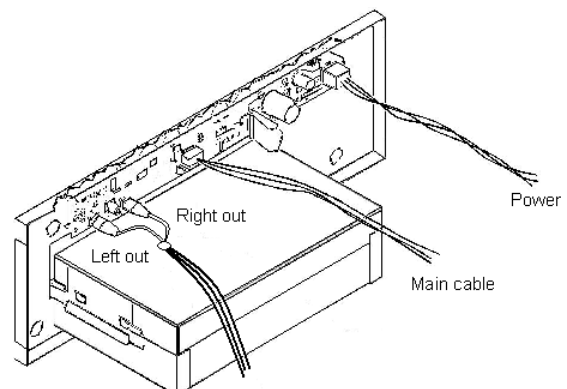
Install the NA3003C or NA3008C optional chime module in the rough-in by pressing the chime module over the 4 plastic standoffs attached to the rough-in as shown in the following figure. Refer to the instructions shipped with the chime module.



INSTALLING THE NC300 CD CHANGER

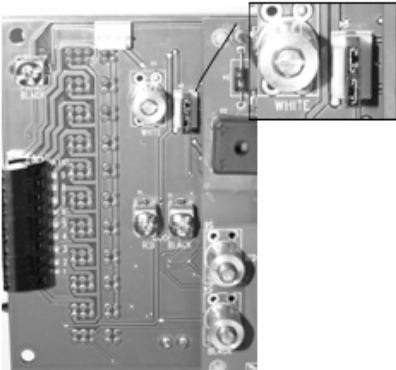
Connect the audio cables to the audio jacks of the NC300 player as shown in the figure below. After connecting the audio cables and main cable, connect the power cord from the NA200TA transformer to the power connector on the NC300 CD changer. Please refer to the installation manual packed with the NC300 CD changer.

Ensuring that nothing is between the CD player and the back of the rough-in (including cables), place the NC300 player into the lower opening of the frames including the NF200C or NF100C frames. Use the screws provided to secure the unit in place.

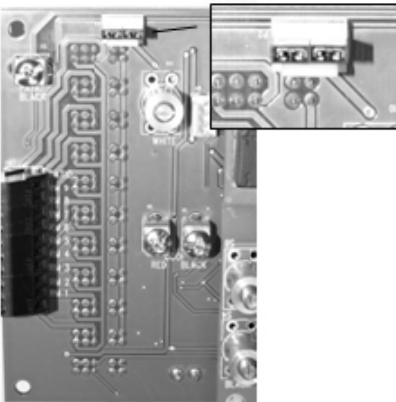


INSTALLING THE NM100

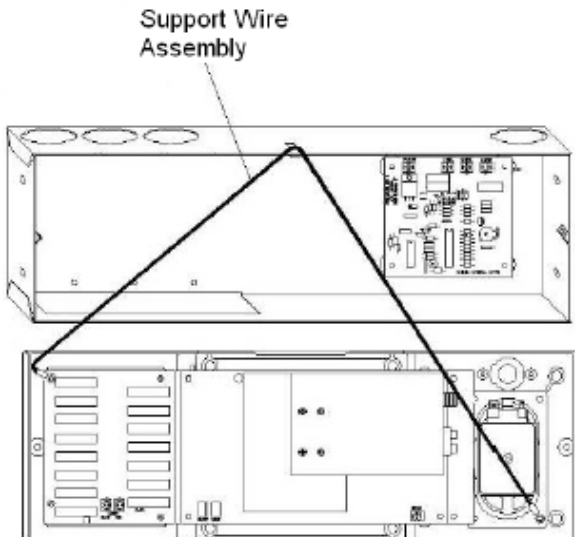
The NM100 ships configured for a 3-wire retrofit system. If you are replacing a 4-wire system you must change the jumper setup on the NM100 master. The jumper change must be completed before any cables are connected. To change the jumpers just pull them off the existing connections shown in the next figure.



Place the jumpers you just disconnected in the 4-wire position shown in the next figure.

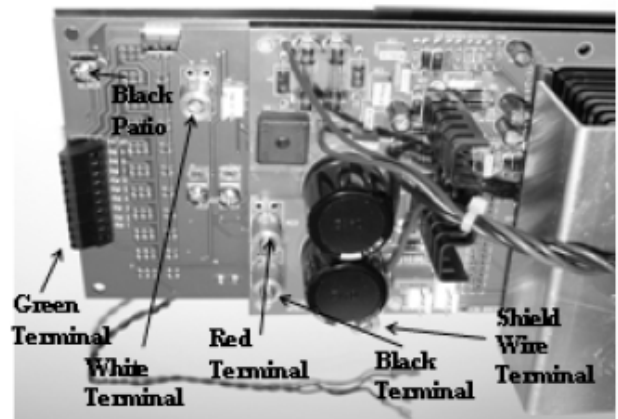


Suspend the master unit from the rough-in by looping the support wire assembly (thick green wire) over the hook at the top of the rough-in. Be careful not to damage the wall surface.

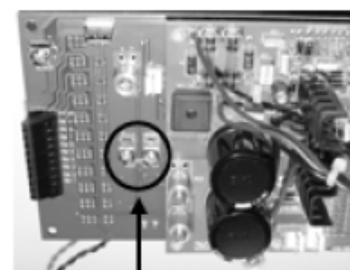


If the NM100 system has more than 9 remote stations, some remote selector switches will control two remote stations. Connect each Green wire (except patio/outdoor remote Green) to a single green terminal on the master. Each numbered Green terminal corresponds to a remote station selector switch. Note: No more than 2 Green wires can be connected to any Green terminal and not to exceed 15 speakers for the 4-wire or 13 speakers for the 3-wire system. This limitation does include remote controls and volume controls but not door stations. The station location can be marked on the inside of the door access panel on the left side of the NM100 master.

Connect the green wire(s) from the outdoor remote station(s) to the Patio green terminal. Connect the outdoor remote Black wire(s) to the patio Black terminal. Note: Only two outdoor remote stations can be connected to the patio terminals. Connect the Red wire with the other Red wires to the Red terminal. Connect the White wire with the other White wires to the White terminal. Refer to the figure shown below for wire placement.

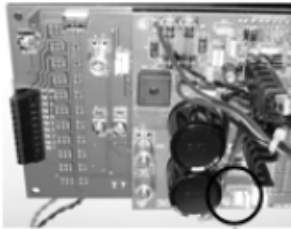


Connect the red and black wires of the door station cables (NW4S) to the red and black door station terminals on the NM100 master as shown in the next figure. When using the NW4S shielded wire, insulate the bare wires using some of the jacket material to prevent shorting to the circuit board. Connect this wire to terminal labeled shield. Connect all orange wires from the door stations to the common terminal on the NA3003C or NA3008C chime module. Connect each yellow wire to a note selection terminal. (Do not connect more than one yellow wire per note terminal).



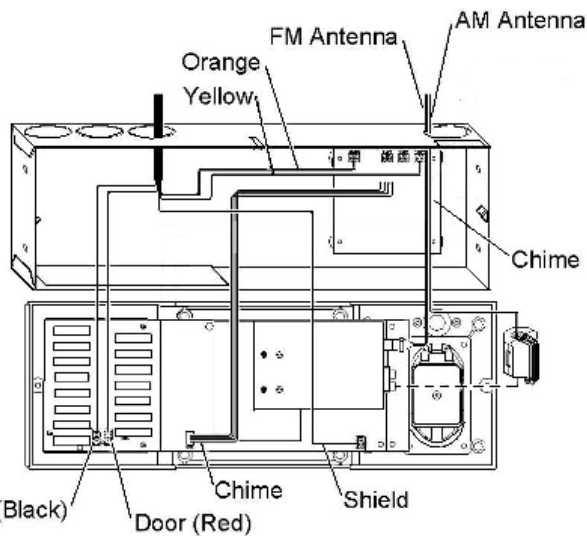
Door Speaker connections

Plug in the modular chime plug to the 4 pin connector labeled as CHIME on the NM100 master unit as shown in the next figure.



Chime Plug connection

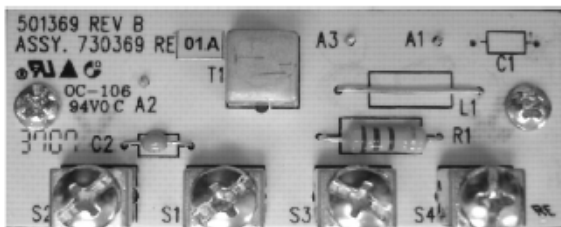
Connect the optional NC300 player RCA cables and control wire. See additional instructions packed with the NC300 CD changer.



CONNECTING THE ANTENNA

Separate the intercom cables from the antenna leads, if grouped together the intercom cables can shield the antenna leads resulting in poor radio reception. Keep the antenna leads away from metal ductwork and aluminum backed insulation. These can also shield the antenna leads.

The number and style of antenna leads will vary based on the intercom system being replaced. The NM100 system is designed to use the existing antenna. See next figure.



Follow the steps below to attach a NuTone 300 Ohm twin lead antenna to the NM100.

If the antenna has a plug on the end, cut the plug off

1. Strip the 2 wire ends
2. Connect the wire ends to terminal S1 and S2 on the antenna board

3. Connect a bare jumper wire (a 22 gauge speaker wire works well) between the S3 and S4 terminals.

Follow the steps below to attach a separate AM/FM antenna system with 300 Ohm FM twin lead and orange AM antenna wire:

1. Connect the FM twin leads to terminal S1 and S2 on the board
2. Connect the AM antenna (orange wire) to terminal S4
3. Terminal S3 is not used in this configuration

Follow the steps below to connect a single orange wire antenna system:

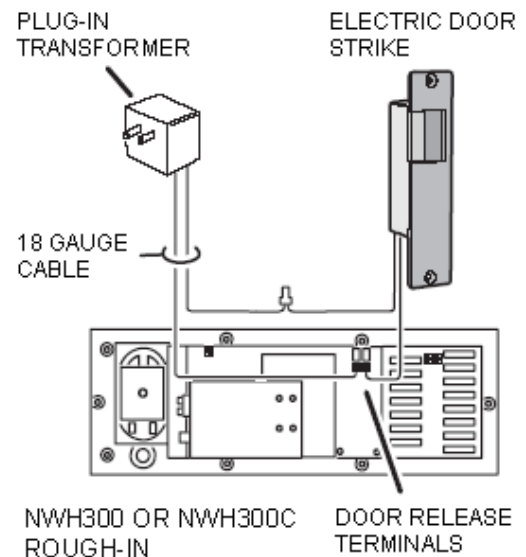
1. Connect the orange wire to either S1 or S2. Note do not connect the wire to both S1 and S2 doing this will short out the FM antenna signal.
2. Connect a bare jumper wire (a 22 gauge speaker wire works well) between the S3 and S4 terminals.

DOOR RELEASE OPTIONS

The door release option is a dry contact closure provided by the NM100 master. This dry contact is rated 24 Volt/2 Amps. The sample applications below represent some uses of this option. However, only one application can be used in any NM100 system at a time.

DOOR OR GATE RELEASE MECHANISM

Run a single line of 18 gauge solid copper, twisted pair approved low voltage cable from the NWH300 or NWH300C rough-in to the door release mechanism. Connect the two wires from the 18 gauge solid copper cable to the two wire terminals of the door release mechanism.



Run another single line of 18 gauge solid copper, twisted pair approved low voltage cable from the NWH300 or NWH300C rough-in location to a gang box next to a 120VAC receptacle where the remote door/gate release power transformer will be plugged in. Label and secure cables at the rough-in.

The door release switch contacts are very versatile and can be used with many AC/DC door or switch contacts. Be sure to use the wire and power supply or transformer specified by the door or gate release product being used.

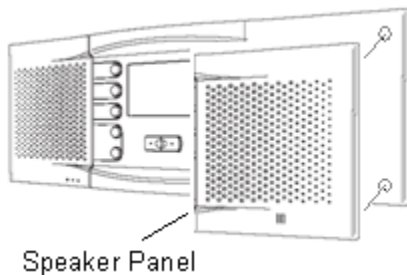
PANIC INTERFACE WITH SECURITY SYSTEM

Run a line of 18 gauge solid copper, twisted pair approved low voltage cable from the NWH300 or NWH300C rough-in location to the security control panel. Setup the security panel to receive a normally open dry contact for panic operation. (Refer to programming procedures accompanying the security panel). Label and secure cables at the NWH300 or NWH300C rough-in. Have a certified security installer hook the NM100 up to the alarm system.

TESTING

After all connections have been made, insert the NM100 power plug into NA300TA transformer and secure the master to the rough-in using the 2 screws provided. If using the NF200CWH, NF100CWH or NF100MWH frame with a NC300 player, install the master unit over the frame. Do not over tighten the screws as the plastic may distort or crack. Install the speaker panel on the master as shown.

Please be careful to only apply pressure on the speaker panel at the corners and not in the middle. Check all functions by following the guidelines in the Owners Manual shipped with the master unit. If any difficulties are encountered, recheck all connections. If after reviewing these instructions you are unable to resolve any problems, contact technical support at 1-888-336-6151.



APPENDIX A - NUTONE SYSTEMS

NuTone Part Number	NuTone IM/IMA-3303	NuTone IM/IMA-4406	NuTone IM-3204
NM200WH		X	
NM100WH	X		X
NRS200WH		X	
NPS200WH		X	
NRS103WH	X		
NPS103WH	X		
NRS104WH			X
NPS104WH			X
NC300WH	X	X	X
NF200CWH	*	*	*
NF100MWH	X	X	X
NF100CWH			
NF300RWH	X	X	X
NF300DWH	X	X	X
NWH300	X	X	X
NWH300C	*	*	*
NRKR200R			
NRKF200P			
NRKS200PWH	X	X	X
NA3003C, NA3008C	X	X	X
NDB300WH	X	X	X
NDB300BB	X	X	X
NDB300AB	X	X	X

*Refer to frames below:

- NF100MWH – Replacing a master only system with an NM100 master
- NF100CWH – Replacing a combination system with an NM100 master and NC300 CD player
- NF200CWH – Replacing a master only system with an NM100 master and NC300 CD player (requires hole in wall to be made larger)
- NF300RWH – Used on all indoor remote station replacements
- NF300PWH – Used on all outdoor or high sun area flush mount remote station replacements
- NRKS200PWH – Used on all outdoor surface mount remote station replacements
- NF300DWH – Used on older NuTone door station replacements, not required for M&S replacements

The following NuTone systems map to either the IM-3303 or IM-4406 systems:

NuTone Systems	IM/IMA-4406	IM/IMA-3303
SM428	X	
2561/2562*	X	
2401/2402	X	
2542	X	
2540/2541	X	
IM/IMA-406	X	
IM/IMA-4006	X	
IM/IMA-303		X
IM/IMA-313		X
IM/IMA-203		X
IM/IMA-2003		X
IM/IMA-3003		X
IM/IMA-3303		X
IM/IMA-3103		X
2067/2068		X
2011/2012		X
2015/2016		X
2053/2054		X
2055/2056		X
2071		X
2031/2032		X
2090/2091		X

*If existing system is loop or partially loop wired, it can only be converted to the IM5000 system. If the existing system is completely home run wired, the system can be converted to an NM200 system.

APPENDIX B - M&S SYSTEMS

NuTone Part Number	M&S 602	M&S MC602 with MCP/MDC6	M&S MC702
NM200WH			X
NM100WH	X	X	
NRS200WH			X
NPS200WH			X
NRS103WH			
NPS103WH			
NRS104WH	X	X	
NPS104WH	X	X	
NC300WH	X	X	X
NF200CWH	*		*
NF100MWH	X		X
NF100CWH		X	
NF300RWH	X	X	X
NF300DWH			
NWH300	X		X
NWH300C	*	X	*
NRKR200R			
NRKF200P			
NRKS200PWH	X	X	X
NA3003C, NA3008C	X	X	X
NDB300WH	X	X	X
NDB300BB	X	X	X
NDB300AB	X	X	X

NuTone Part Number	M&S MC702 with MCP/MDC6	M&S 302	M&S MC302 with MCP/MDC6
NM200WH	X		
NM100WH		X	X
NRS200WH	X		
NPS200WH	X		
NRS103WH			
NPS103WH			
NRS104WH		X	X
NPS104WH		X	X
NC300WH	X	X	X
NF200CWH		*	
NF100MWH		X	
NF100CWH	X		X
NF300RWH	X	X	X
NF300DWH			
NWH300		X	
NWH300C	X	*	X
NRKR200R			
NRKF200P			
NRKS200PWH	X	X	X
NA3003C, NA3008C	X	X	X
NDB300WH	X	X	X
NDB300BB	X	X	X
NDB300AB	X	X	X

NuTone Part Number	M&S 440 Series	M&S 500 Series	M&S 40 Series
NM200WH	X	X	X
NM100WH			
NRS200WH	X	X	X
NPS200WH	X	X	X
NRS103WH			
NPS103WH			
NRS104WH			
NPS104WH			
NC300WH	X	X	X
NF200CWH	*	*	*
NF100MWH	X	X	X
NF100CWH			
NF300RWH	X	X	X
NF300DWH			
NWH300	X	X	X
NWH300C	*	*	*
NRKR200R			
NRKF200P			
NRKS200PWH	X	X	X
NA3003C, NA3008C	X	X	X
NDB300WH	X	X	X
NDB300BB	X	X	X
NDB300AB	X	X	X

NuTone Part Number	M&S 250	M&S 300/350	M&S 350A
NM200WH			
NM100WH	X	X	X
NRS200WH			
NPS200WH			
NRS103WH			
NPS103WH			
NRS104WH	X	X	X
NPS104WH	X	X	X
NC300WH	X	X	X
NF200CWH	*	*	*
NF100MWH	X	X	X
NF100CWH			
NF300RWH	X	X	X
NF300DWH			
NWH300	X	X	X
NWH300C	*	*	*
NRKR200R			
NRKF200P			
NRKS200PWH	X	X	X
NA3003C, NA3008C	X	X	X
NDB300WH	X	X	X
NDB300BB	X	X	X
NDB300AB	X	X	X

NuTone Part Number	M&S 44 Series	M&S Model 5 & Model 6	M&S 220/330
NM200WH	X		
NM100WH		X	X
NRS200WH	X		
NPS200WH	X		
NRS103WH		X	
NPS103WH		X	
NRS104WH			X
NPS104WH			X
NC300WH	X	X	X
NF200CWH	*	*	*
NF100MWH	X	X	X
NF100CWH			
NF300RWH	X	X	X
NF300DWH			
NWH300	X	X	X
NWH300C	*	*	*
NRKR200R			
NRKF200P			
NRKS200PWH	X	X	X
NA3003C, NA3008C	X	X	X
NDB300WH	X	X	X
NDB300BB	X	X	X
NDB300AB	X	X	X

NuTone Part Number	M&S 20 Series	M&S 30 Series	M&S Model 150
NM200WH			
NM100WH	X	X	X
NRS200WH			
NPS200WH			
NRS103WH			
NPS103WH			
NRS104WH	X	X	X
NPS104WH	X	X	X
NC300WH	X	X	X
NF200CWH	*	*	*
NF100MWH	X	X	X
NF100CWH			
NF300RWH	X	X	X
NF300DWH			
NWH300	X	X	X
NWH300C	*	*	*
NRKR200R			
NRKF200P			
NRKS200PWH	X	X	X
NA3003C, NA3008C	X	X	X
NDB300WH	X	X	X
NDB300BB	X	X	X
NDB300AB	X	X	X

INSTALLATION DU SYSTÈME SÉRIE NM100

Page 11

LIRE CES DIRECTIVES ET LES CONSERVER

ATTENTION

AFIN DE DIMINUER LES RISQUES D'INCENDIE, D'ÉLECTROCUTION OU DE BLESSURES, SUIVEZ CES DIRECTIVES :

1. Lisez attentivement ces instructions avant d'installer ou d'utiliser le système NM100.
2. Le NM100 doit être installé par le détaillant ou un installateur qualifié, conformément aux codes locaux du bâtiment et de l'électricité.
3. Pour une protection continue contre les risques d'incendie, ne remplacez le fusible du module d'interrupteur que par un fusible de 3 A, 250 V du même type.
4. Respectez tous les avertissements figurant sur l'appareil NM100 et dans ces instructions. Suivez toutes les directives d'installation et d'utilisation.

AVERTISSEMENT

CES DIRECTIVES D'INSTALLATION ET D'ENTRETIEN NE S'ADRESSENT QU'À UN PERSONNEL QUALIFIÉ. POUR RÉDUIRE LES RISQUES DE CHOC ÉLECTRIQUE, N'EFFECTUEZ AUCUNE AUTRE TÂCHE QUE CELLES INDICÉES DANS LES DIRECTIVES D'UTILISATION À MOINS D'ÊTRE QUALIFIÉ POUR LE FAIRE.

- N'essayez pas de réparer vous-même le lecteur NM100 car l'ouverture et l'enlèvement des couvercles vous exposera à une tension dangereuse et à d'autres dangers. Confiez toute réparation à un technicien qualifié.

Le symbole de l'éclair se terminant par une flèche dans un triangle équilatéral vise à avertir l'utilisateur de la présence d'une « tension dangereuse » non isolée à l'intérieur du boîtier de l'appareil et d'une puissance suffisante pour constituer un risque d'électrocution.

Le point d'exclamation dans un triangle équilatéral vise à avertir l'utilisateur de la présence d'importantes directives d'utilisation et d'entretien dans les documents accompagnant le produit.

- Placez le système loin des sources de chaleur, tels que les radiateurs, bouches de chauffage, poêles ou tout appareil produisant de la chaleur.
- Ne placez pas la station principale NM100 ni les stations à distance sur un mur extérieur.
- N'exposez pas le NM100 à l'humidité, sous peine de créer un risque d'incendie ou d'électrocution et d'annuler la garantie.
- Ne placez pas la station principale NM100 ni les stations à distance dans la cavité d'un mur contenant d'autres câbles électriques.
- Installez le système NM100 après l'application du matériau couvrant les murs.
- N'exposez pas les haut-parleurs des stations à distance à d'importants contacts avec l'eau. Les haut-parleurs extérieurs sont à l'épreuve d'intempéries mais ils ne sont pas imperméables à l'eau. Une exposition directe et continue à l'eau posera des problèmes au système.

- Ne connectez aucun fil d'une station de porte ou d'une station à distance si vous n'êtes pas certain de son point de terminaison. Le fait de brancher une station de porte sur une station à distance risque d'endommager le système.
- Assurez-vous que les directives concernant l'installation du boîtier ont été suivies avant de mettre le système NM100 sous tension.
- N'effectuez aucune épissure sur les câbles. Les épissures sont peu fiables et annulent les propriétés d'isolation du signal du câble.
- Ne raccordez aucun dispositif non recommandé avec ce système. Les dispositifs autorisés sont :
Les composants audio connectés par le biais d'une entrée au niveau de ligne
Lecteur à six disques NC300
- Si des câbles supplémentaires ont été acheminés pour prévoir l'ajout ultérieur de nouveaux haut-parleurs, prenez soin de vérifier que ces câbles ne sont pas connectés à l'unité principale NM100. Les câbles se terminant à vide (sans station) mais branchés à l'unité principale NM100 peuvent causer une rétroaction électrique qui endommagera la station principale.
- Ne serrez pas trop les vis des stations à distance ou de la station principale au risque d'abîmer le filetage de la façade en plastique ou de la fendre.
- N'utilisez que des pièces de rechange certifiées NuTone et faites-les installer par le détaillant ou l'installateur NuTone. Les substitutions non autorisées peuvent provoquer un incendie, un choc électrique ou d'autres dangers.
- Une fois les travaux ou la réparation terminés, demandez au détaillant ou à l'installateur d'effectuer une vérification pour garantir que le système est en parfait état.
- Ne nettoyez la station principale NM100 et les stations à distance qu'avec un chiffon humide. N'utilisez pas de nettoyants liquides ou en aérosol.

ATTENTION : CÂBLAGE

- Un électricien qualifié doit installer un câble 120V CA jusqu'aux transformateurs de rétrofit de la station NM100.
- Chaque fil ne doit pas dépasser plus de 107 MÈTRES (350 pieds) entre n'importe quelle station à distance et la station principale NM100 et le total ne doit pas dépasser 305 mètres (1000 pieds) pour l'ensemble du système.
- Étiquetez chaque fil. Une connexion incorrecte à la station principale NM100, aux stations à distance ou aux stations de porte risque d'endommager le système.
- Faites courir un seul câble de la station principale à chaque station à distance et station de porte à la manière d'un circuit autonome. Ne faites pas de boucle d'une station à une autre.
- N'agrafez pas les câbles. Les agrafes causent des courts-circuits.
- N'effectuez aucune épissure sur les câbles. Les épissures sont peu fiables et annulent les propriétés d'isolation du signal des câbles.
- N'enfilez pas de câbles électriques à l'intérieur des boîtiers. Si vous constatez lors d'un rétrofit qu'un câble 120 VCA traverse un boîtier, demandez à un électricien qualifié de faire en sorte que les câbles contournent les boîtiers.

- Gardez les câbles à au moins 46 cm (18 po) de tout tube fluorescent, gradateur de lumière et des autres câblages : câblage CA, câbles de sécurité, unités de téléphone sans fils et autres câbles de commande. Leur présence peut causer un « grondement » ou « ronflement ».
- Éloignez les câbles de tout objet tels que les conduits de chauffage ou de climatisation, plaques de construction en métal et de tout objet comportant un bord tranchant pouvant endommager les câbles.

ATTENTION : DISPOSITION DES BOÎTIERS DES STATIONS À DISTANCE

Il est important de bien réfléchir à la disposition des stations à distance et de la station principale. Puisqu'il s'agit du rétrofit d'un système existant, vous ne pourrez pas décider de son emplacement. Par contre, si vous devez installer des éléments à de nouveaux endroits, suivez les directives suivantes :

- N'installez pas de stations à distance dans des conduits de retour d'air.
- N'installez pas de stations à distance dans des murs extérieurs. Le matériau isolant modifiera la bande passante et l'efficacité des haut-parleurs. Les variations de température à l'intérieur du mur réduiront la durée de vie du haut-parleur.
- N'installez pas de stations à distance dans un sauna. Elles ne supporteront pas la chaleur et l'humidité extrêmes qui y règnent.
- N'installez pas de stations à distance dans la cavité d'un mur contenant d'autres câbles ou appareils.
- N'installez pas de stations à distance à moins de 46 cm (18 po) de tout gradateur de lumière, tube fluorescent, câbles de sécurité, unités de téléphone sans fils et autres câbles de commande.
- N'installez pas de stations à distance à moins de 3 mètres (10 pi) d'une autre station ou de l'unité principale NM100, au risque d'engendrer une rétroaction acoustique (feedback).
- N'installez pas de stations à distance dans la cavité d'un mur contenant une autre station ou l'unité principale NM100, au risque d'engendrer une rétroaction acoustique.
- N'installez pas de stations à distance en face d'une autre station ou de l'unité principale NM100, au risque d'engendrer une rétroaction acoustique.
- Assurez-vous que tous les boîtiers sont de niveau et orientés tel qu'indiqué dans ces instructions.

INSTALLATION

Conçu pour la mise à niveau des anciens systèmes d'interphone, le NM100 est un système de communication et de musique pour l'ensemble d'une habitation, utilisant les fils à 3 ou 4 conducteurs des systèmes d'interphone existants. Il est conçu pour offrir des années de service et d'agrément au propriétaire.

Pour assurer que le propriétaire profite de la qualité sonore supérieure pour laquelle le système est conçu, que ce soit pour la musique ou la reproduction de la voix, il est indispensable de suivre soigneusement chaque étape d'installation. Pour obtenir de l'aide en cas de difficulté au cours de l'installation, appelez notre personnel technique au 1 888 336-6151.

Avant d'installer le système NM100, veuillez lire et observer les Consignes de sécurité importantes.

L'installation rétrofit NM100 s'effectue selon les étapes suivantes :

- Effectuer une estimation des travaux
- Enlever l'ancien système d'interphone

- Installer le boîtier NWH300 ou NWH300C
- Remplacer les stations à distance (Remarque : ne pas enlever les boîtiers des stations à distance existantes)
- Installer le lecteur NC300 offert en option
- Installer l'unité principale NM100 et effectuer tous les branchements des stations à distance
- Tester le système

L'installation du NM100 nécessite les outils suivants. D'autres outils peuvent s'avérer nécessaires selon le type d'installation du système d'interphone existant :

- Tournevis cruciforme n° 2
- Pince à dénuder/couper les fils
- Ruban à mesurer
- Niveau
- Cisailles
- Multimètre numérique
- Petit tournevis cruciforme/plat (ou de précision)
- Perceuse électrique avec mèche de 25 mm (1 po)
- Petite barre à clous
- Grand tournevis plat
- Maillet en caoutchouc
- Rallonge électrique
- Ciseau à bois
- Scie à cloison sèche

Ces outils ne vous seront peut-être pas tous utiles à chaque installation mais les avoir sous la main pourra toujours faciliter les travaux.

ESTIMATION DES TRAVAUX

Il est indispensable de déterminer la complexité de l'installation rétrofit avant de préparer l'estimation des travaux. Il est bien difficile de prévoir toutes les situations qui peuvent se présenter dans les faits. C'est pourquoi NuTone vous conseille de visiter les lieux du rétrofit avant de préparer une estimation et de commander le matériel. Lors de cette visite, il est recommandé de suivre les étapes suivantes :

- Déterminez le numéro de modèle et le fabricant du système d'interphone actuel.
- Comptez le nombre de stations à distance et de stations de porte.
- Déterminez si les stations de porte et les stations extérieures sont montées en surface ou encastrées.
- Enlevez la station principale du mur et vérifiez qu'aucune situation inhabituelle ne se pose :
 - Câbles électriques traversant les boîtiers.
 - Câbles téléphoniques traversant les boîtiers.
 - Espacement variable des montants des murs par rapport au standard de 16 po (40,6 cm)
 - Type de fil utilisé pour les stations à distance intérieures, stations à distance de porte et stations à distance extérieures (NuTone, M&S ou autres comme des fils téléphoniques). Si vous constatez que des fils ne sont pas standard, contactez notre Assistance technique au 1 888 336-6151 pour obtenir de l'aide.
 - Un transformateur à distance
 - Un carillon de porte à distance

L'examen de chacun des points ci-dessus vous aidera à évaluer l'envergure et le prix des travaux d'installation du système de rétrofit.

ENLÈVEMENT DE L'ANCIEN SYSTÈME D'INTERPHONE

Avant d'enlever l'ancien système d'interphone, vérifiez que l'alimentation électrique de l'interphone est bien coupée. Enlevez les vis du couvercle de la station principale de l'interphone et, tout en poursuivant le démontage, étiquetez soigneusement chaque fil et son emplacement correspondant. Déconnectez tous les fils des stations à distance et des stations de porte de l'unité principale. Puis, enlevez soigneusement le boîtier mural actuel et les transformateurs.

Si le système en place ne fonctionnait plus avant son remplacement, vérifiez qu'aucun fil qui court entre les stations et l'unité principale n'est court-circuité ou abîmé. Si l'un de ces fils présente un court-circuit, faites passer un nouveau fil avant d'installer le NM100. Pour remplacer les câbles à 3 fils NuTone, utilisez du câble NuTone IWA3. Pour remplacer les câbles à 4 fils NuTone ou M&S, utilisez du câble NuTone NW4S.

Remarque : si vous constatez qu'un câble 120 VCA traverse l'un des boîtiers, demandez à un électricien qualifié de réacheminer ce câble autour du boîtier.

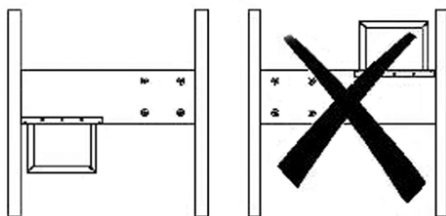
Si vous découvrez un transformateur, il se peut qu'un nouveau fil électrique soit à installer par un électricien qualifié pour alimenter la station principale et/ou le lecteur de CD offert en option. Vérifiez également qu'aucun autre câble 120 VCA ni aucune obstruction ne se trouve dans les environs du boîtier.

INSTALLATION DU BOÎTIER

Les boîtiers NWH300 et NWH300C sont conçus pour des montants placés à tous les 16 po (40,6 cm). Lors d'applications de rétrofit, vous constaterez peut-être un espacement hors norme. Pour remplacer un système existant ne comportant qu'un interphone, utilisez le boîtier NWH300. Utilisez le boîtier NWH300C uniquement pour les systèmes combinés qui utilisent la station principale NM100 et le lecteur de CD à six disques NC300.

Positionnez le boîtier NWH300 ou NWH300C. Le boîtier doit être placé de sorte que le transformateur soit en bas, tel qu'illustré dans la figure ci-dessous.

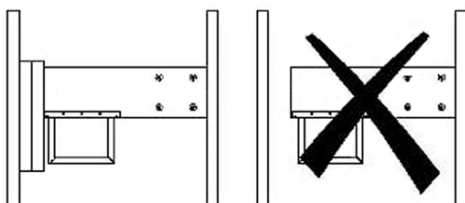
Orientation du transformateur



CORRECT

MAUVAIS !

Fixer des deux côtés



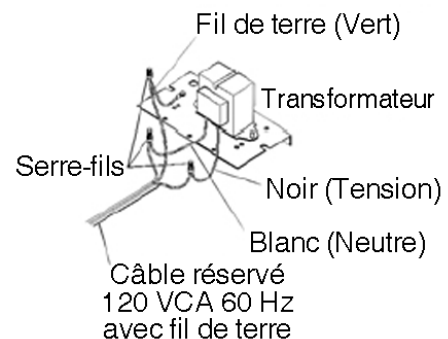
CORRECT

MAUVAIS !

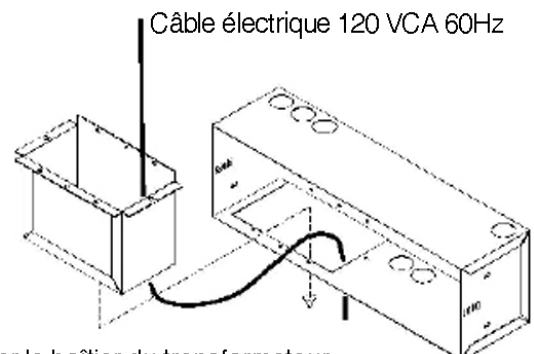
Si vous ne remplacez que la station principale par une station NM100 et un changeur de CD NC300, vous devrez agrandir l'ouverture du mur pour accommoder le boîtier plus grand. Avant le découpage, vérifiez si la cavité du mur ne comporte pas d'obstructions ou d'objets pouvant empêcher les transformateurs de s'insérer dans le mur. Les boîtiers NWH300 et NWH300C ont leur transformateur suspendu en dessous. Consultez la figure ci-dessous pour voir le positionnement du boîtier.



Connectez le fil actuel du circuit réservé 120 VAC/60 Hz au connecteur de mise à la terre du panneau électrique et du boîtier, tel qu'illustré ci-dessous. Le NM100 exige un circuit réservé pour éviter toute interférence d'un autre appareil comme sur les circuits en boucle. Le fil de terre est nécessaire pour une réception radio adéquate.

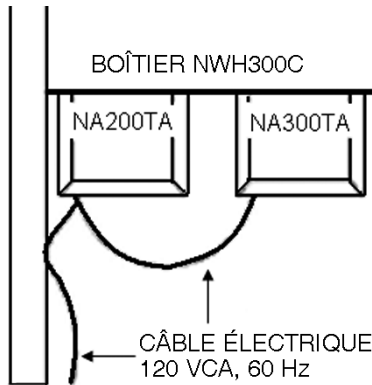


Insérez le boîtier du transformateur dans l'ouverture au bas du boîtier principal, tel qu'illustré ci-dessous.



Installer le boîtier du transformateur de l'INTÉRIEUR du boîtier NWH300

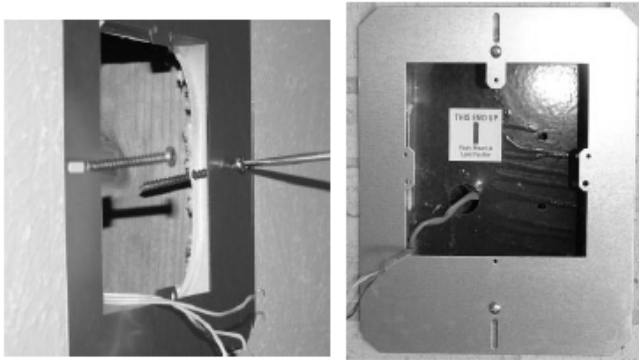
Pour le boîtier combiné NWH300C de station principale et lecteur de CD, demandez à un électricien de boucler un câble d'alimentation entre le boîtier de transformateur NA200TA et le boîtier de transformateur NA300TA en suivant la même procédure expliquée précédemment et illustrée dans la figure ci-dessous.



REPLACEMENT DES STATIONS DES PIÈCES

Les stations à distance et les stations de porte utilisent les mêmes câbles et boîtiers existants ou leurs cadres. Pour remplacer la station, enlevez d'abord l'ancienne station. Laissez le boîtier de la station en place.

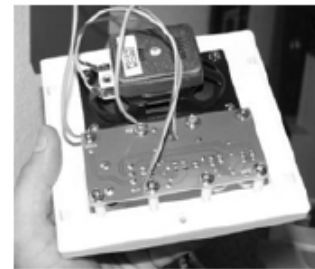
Une fois la station enlevée, vérifiez l'intégrité du câblage. Installez ensuite la plaque de montage du cadre NF300RWH. Alignez la plaque sur le mur, verticalement ou horizontalement, de sorte que les trous de vis correspondent à ceux du boîtier. À l'aide d'un niveau, assurez-vous que la plaque est bien de niveau. La plaque comporte plusieurs trous de vis afin de pouvoir être fixée à de nombreux types de boîtiers. Fixez la plaque au mur à l'aide des vis fournies.



Connectez les fils à la nouvelle station à distance. Connectez les fils aux vis de couleur correspondante de la station à distance NRS103WH ou NRS104WH. N'utilisez que les stations à distance NRS103WH pour les installations à trois fils et les stations NRS104WH pour les installations à quatre fils. Toutes les installations à six fils utilisent les stations à distance NRS200WH. Veuillez consulter l'Annexe A pour la cartographie des connexions des systèmes NuTone et M&S aux configurations à 3, 4 ou 6 fils (nécessite la station principale NM200). Consultez les deux tableaux suivants pour le diagramme de câblage de la station NM100 :

Installations à trois fils

NM100 CONNEXION	CÂBLE NUTONE IWA3	FONCTION DU FIL
Noir	Fil rayé bleu ou fil extérieur cuivre	Micro d'interphone Entrée audio et commande
Rouge	Fil du centre	Fil de terre
Vert	Fil rayé rouge ou fil extérieur argent	Sortie haut-parleur/ Entrée micro moniteur



Installations à quatre fils

NM100	NUTONE 4	M&S	FONCTION DU FIL
Blanc	Fil rayé bleu	Fil extérieur gris argent	Entrée audio micro interphone
Noir	Fil gris/cuivre	Fil de cuivre suivant à extérieur gris	Commande d'interphone
Rouge	Fil gris/argent	Fil de cuivre suivant à extérieur gris	Fil de terre
Vert	Fil rayé rouge	Fil extérieur cuivre Fil rayé rouge	Sortie haut-parleur/Entrée micro moniteur
NM100	CÂBLE M&S MS4XSC	CÂBLE NUTONE NW4S	FONCTION DU FIL
Blanc	Blanc	Rouge	Entrée audio micro interphone
Noir	Noir	Noir	Commande d'interphone
Rouge	Rouge	Orange	Fil de terre
Vert	Vert	Jaune	Sortie haut-parleur/Entrée micro moniteur

Connectez la station à distance au câblage existant en vous reportant au tableau ci-dessus. Placez la station à distance au travers du cadre de montage en plastique NF300RWH. Positionnez le cadre verticalement ou horizontalement selon la station à remplacer.

Placez la station à distance à l'intérieur de l'anneau du boîtier et alignez le cadre avec la station. À l'aide des vis fournies avec la station, vissez celle-ci et le cadre en place. Les trous de la station doivent être vis-à-vis de ceux de la plaque de montage. La station maintient le cadre en place sur le mur.



Veillez noter que les cadres en plastique peuvent être peints. Appliquez d'abord une couche d'apprêt puis la peinture ordinaire de la pièce. Le plastique blanc peut nécessiter deux couches de peinture pour être bien couvert. Il est conseillé de peindre le cadre avant de le fixer au mur.

Important : Étiquetez tous les câbles aux deux extrémités. Une connexion incorrecte à la station principale, aux stations à distance ou aux stations de porte risque d'endommager le système.

STATIONS À DISTANCE EXTÉRIEURES

N'enlevez pas les boîtiers des stations à distance extérieures. Le système rétrofit NuTone est conçu pour s'insérer dans les boîtiers existants. Il importe de noter que les stations extérieures sont à l'épreuve des intempéries mais ne sont pas imperméables. Elles ne doivent pas être directement exposées à la pluie, à des arrosoirs ni à d'autres dispositifs tels que des nettoyeurs sous pression.

Veillez utiliser le cadre NF300PWH à l'extérieur et dans les zones très ensoleillées. Le cadre de plastique NF300PWH est conçu pour supporter le soleil sans pâlir. Pour une terrasse, si la station doit être montée en surface, utilisez le boîtier NRKS200PWH. Ce boîtier muni d'un couvercle peut accueillir les stations extérieures NPS200WH, NPS103WH ou NPS104WH.

Pour installer une station extérieure, suivez les directives précédentes sur les stations intérieures.

STATIONS DE PORTE

Enlevez l'ancienne station de porte mais pas son boîtier encastré ou en surface. Pour installer une station de porte NuTone, utilisez le cadre de montage NF300DWH. Les stations de porte M&S s'insèrent également dans le cadre NF300DWH et les vis se fixent dans le boîtier existant. Connectez la station de porte à l'aide des fils de couleurs correspondantes. Vissez station ou la station munie du cadre NF300DWH dans le boîtier encastré.



SOURCE MUSICALE EXTÉRIEURE

Le système rétrofit NM100 permet d'utiliser des sources musicales à l'extérieur. Utilisez une connexion existante ou installez un nouveau fil pour utiliser une autre source locale. Pour installer une nouvelle source, suivez les étapes ci-dessous.

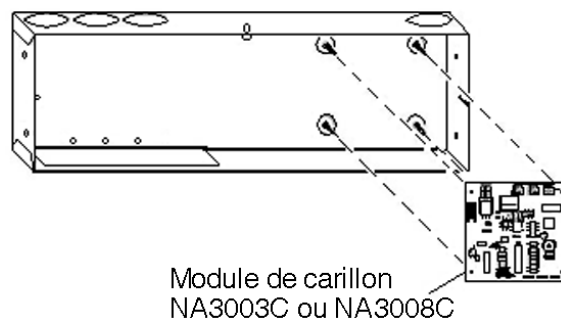
Choisissez un emplacement pour la plaque murale audio IA30WH qui sera facilement accessible aux sources à brancher au système (par exemple, proche du récepteur, du téléviseur ou du lecteur de DVD). Remarque : le fil qui court de la source externe jusqu'à la station principale NM100 ne doit pas dépasser 15 mètres (50 pi).

À cet endroit, fixez la boîte électrique incluse avec le boîtier IR30K sur un montant, à la hauteur normale d'une prise de courant. Utilisez un contour pour plâtre s'il s'agit d'une installation dans une construction existante.

S'il n'y a pas de revêtement sur le mur, laissez la boîte électrique dépasser du montant de manière à se trouver au ras du placoplâtre, une fois celui-ci posé. Enfilez les câbles audio blindés (inclus avec IR30K) de l'emplacement de la station principale jusqu'à l'emplacement de la plaque murale audio IA30WH. Connectez les câbles.

INSTALLATION DU MODULE DE CARILLON

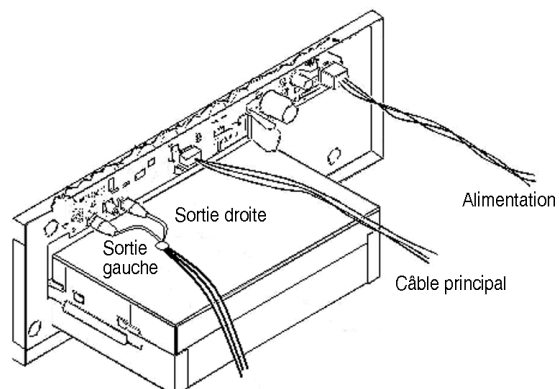
Installez le module de carillon facultatif NA3003C ou NA3008C dans le boîtier principal en l'emboîtant sur les quatre taquets en plastique, tel qu'illustré ci-dessous. Consultez les instructions accompagnant le module.



INSTALLATION DU CHANGEUR DE CD NC300

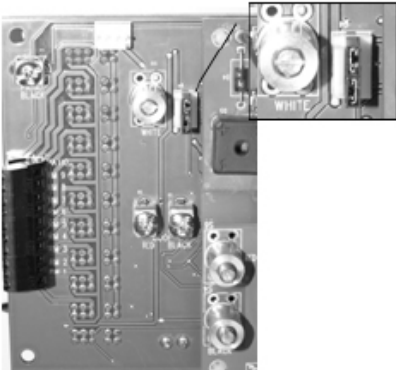
Branchez les câbles audio aux prises audio du lecteur NC300, tel qu'illustré ci-dessous. Une fois les câbles audio et le câble principal connectés, branchez le cordon électrique du transformateur NA200TA au connecteur d'alimentation du changeur de CD NC300. Consultez le manuel d'installation accompagnant le changeur de CD NC300 CD.

Assurez-vous qu'il n'y a rien entre le lecteur de CD et l'arrière du boîtier (y compris les câbles). Placez le lecteur NC300 dans l'ouverture inférieure du cadre NF200C ou NF100C. Utilisez les vis fournies pour fixer l'appareil en place.

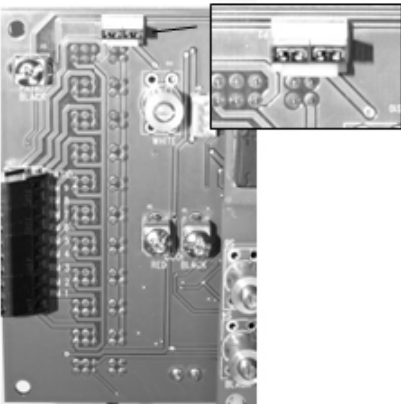


INSTALLATION DU NM100

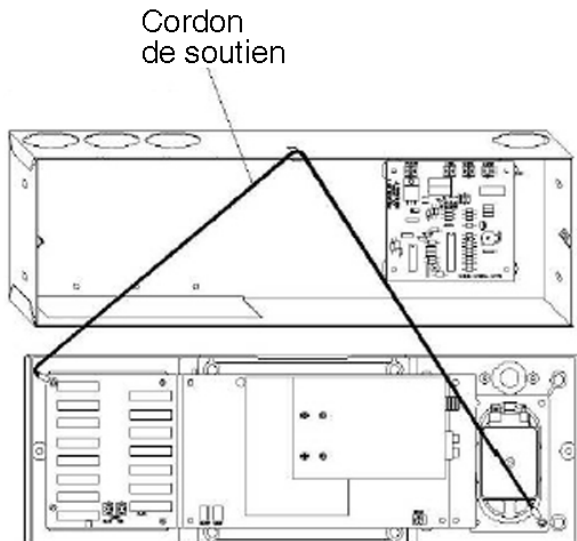
La station NM100 est configurée pour un système rétrofit à trois fils. Si vous remplacez un système à quatre fils, vous devez changer le réglage des cavaliers de la station NM100. Ce changement doit être effectué avant de brancher les câbles. Pour modifier les cavaliers, tirez-les simplement de leurs connexions actuelles, tel qu'illustré ci-dessous.



Placez les cavaliers que vous venez d'enlever dans la position à quatre fils illustrée dans la figure suivante.

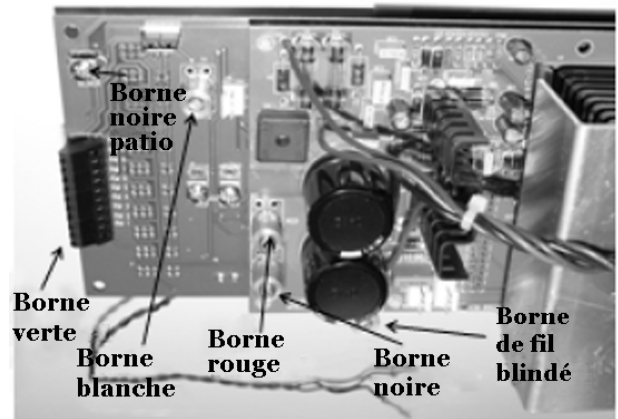


Suspendez la station principale au crochet du dessus du boîtier au moyen du cordon de soutien (gros fil vert). Prenez garde de ne pas abîmer la surface du mur.

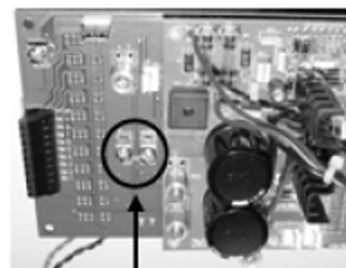


Si le système NM100 comporte plus de neuf stations, certains sélecteurs commanderont deux stations à distance. Connectez chaque fil vert (sauf le vert patio/extérieur) à une borne verte simple de la station principale. Chaque numéro de borne verte correspond à un sélecteur de station à distance. Remarque : Ne connectez pas plus de deux fils verts à une borne verte et le nombre de haut-parleurs ne doit pas dépasser 15 haut-parleurs pour un système à quatre fils, et 13 haut-parleurs pour un système à trois fils. Cette limite ne comprend pas les commandes à distance, les commandes de volume ni les stations de porte. L'emplacement de la station peut être marqué à l'intérieur du panneau d'accès, du côté gauche de la station principale NM100.

Connectez le ou les fils verts de la ou des stations extérieures à la borne verte Patio. Connectez le ou les fils noirs de l'extérieur à la borne noire Patio. Remarque : Seulement deux stations extérieures peuvent être connectées aux bornes Patio. Connectez le fil Rouge avec les autres fils Rouges à la borne Rouge. Connectez le fil blanc avec les autres fils blancs à la borne blanche. Consultez la figure ci-dessous pour voir la disposition des fils.



Connectez les fils rouges et noirs des câbles des stations de porte (NW4S) aux bornes rouge et noire pour stations de porte dans l'unité principale NM100, tel qu'illustré dans la prochaine figure. Si vous utilisez le câble blindé NW4S, isolez les conducteurs nus avec une gaine pour empêcher de court-circuiter la plaquette de circuit. Connectez ce fil à la borne étiquetée « shield/blindé ». Connectez tous les fils orange des stations de porte à la borne commune du module de carillon NA3003C ou NA3008C. Connectez chaque fil jaune à une borne de sélection de note. (Ne connectez pas plus d'un fil jaune par borne de note).



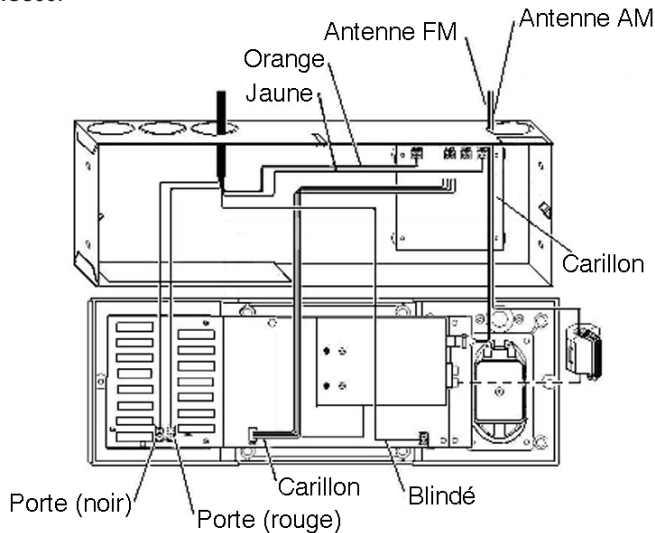
Connexions des haut-parleurs de porte

Branchez la fiche modulaire du carillon dans le connecteur à quatre broches étiqueté CHIME (carillon) sur l'unité principale NM100, tel qu'illustré.



Connexion de la fiche du carillon

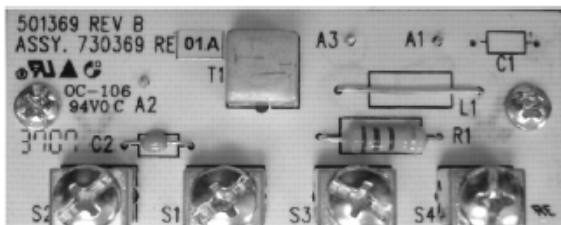
Connectez les câbles RCA du lecteur NC300 facultatif et le fil de commande. Consultez les instructions accompagnant le lecteur de CD NC300.



CONNEXION DE L'ANTENNE

Séparez les câbles de l'interphone des fils de l'antenne car, s'ils sont regroupés, les câbles de l'interphone formeront un blindage autour des fils de l'antenne, nuisant à la réception radio. Gardez également les fils de l'antenne éloignés de tout conduit métallique et de tout isolant à endos d'aluminium. Ceux-ci risquent également de former un blindage autour de l'antenne.

Le nombre et le type de fils d'antenne varient selon le genre d'interphone à remplacer. Le système NM100 est conçu pour utiliser l'antenne existante. Voyez la figure suivante.



Suivez les étapes ci-dessous pour brancher une antenne NuTone 300 ohms à deux fils à la station NM100.

Si l'antenne comporte une fiche à l'extrémité, coupez la fiche.

1. Dénudez l'extrémité des deux fils
2. Connectez les fils aux bornes S1 et S2 sur la plaquette de circuit de l'antenne

3. Placez un fil nu de cavalier (du fil à haut-parleur de calibre 22 convient aussi bien) entre les bornes S3 et S4.

Suivez les étapes ci-dessous pour connecter une antenne AM/FM distincte aux deux fils d'antenne FM 300 ohms et au fil orange de l'antenne AM :

1. Connectez les deux fils d'antenne FM aux bornes S1 et S2 sur la plaquette de circuit de l'antenne
2. Connectez l'antenne AM (fil orange) à la borne S4
3. La borne S3 n'est pas utilisée dans cette configuration

Suivez les étapes ci-dessous pour connecter une antenne à fil simple orange :

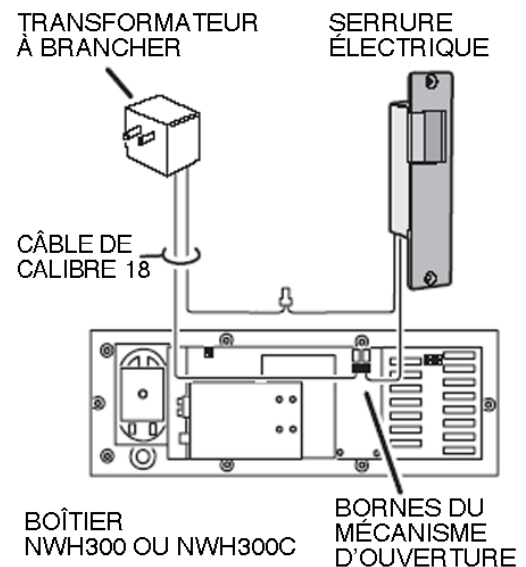
1. Connectez le fil orange à la borne S1 ou S2. Remarque : ne connectez pas le fil aux deux bornes S1 et S2, ce qui court-circuiterait le signal de l'antenne FM.
2. Placez un fil nu de cavalier (du fil à haut-parleur de calibre 22 convient aussi bien) entre les bornes S3 et S4.

OPTIONS DE SERRURE ÉLECTRIQUE

L'option de serrure électrique est un dispositif à contact sec fourni par la station principale NM100. Ce contact sec a une tension de 24 volts/ 2 ampères. Les applications ci-dessous représentent certaines utilisations de cette option. Cependant, le système NM100 ne peut servir qu'à une seule application à la fois.

SERRURE ÉLECTRIQUE DE PORTE OU DE BARRIÈRE

Installez un câble homologué basse tension à deux brins torsadés de cuivre plein de calibre 18 entre le boîtier NWH300 ou NWH300C et la serrure électrique. Connectez les deux fils de calibre 18 du câble aux deux bornes de la serrure électrique.



Installez un autre câble homologué basse tension à deux brins torsadés de cuivre plein de calibre 18 entre le boîtier NWH300 ou NWH300C et une boîte électrique située à proximité de la prise de courant 120 VCA dans laquelle le transformateur de la serrure électrique sera branché. Étiquetez et fixez les câbles dans le boîtier.

Les contacts de l'interrupteur de serrure électrique s'adaptent à de nombreux autres contacts CA/CC de porte ou d'interrupteur. Assurez-vous d'utiliser les fils, l'alimentation ou le transformateur indiqués par le fabricant de la serrure électrique.

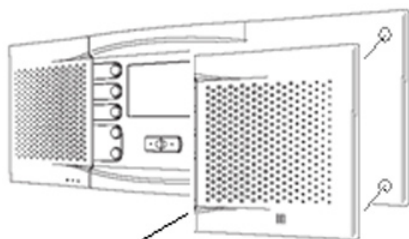
INTERFACE D'URGENCE À SYSTÈME DE SÉCURITÉ

Installez un câble homologué basse tension à deux brins torsadés de cuivre plein de calibre 18 entre le boîtier NWH300 ou NWH300C et le tableau de bord du système de sécurité. Réglez le tableau de bord de manière à recevoir un contact sec normalement ouvert pour déclencher le système d'urgence. (Consultez les procédures de programmation accompagnant le tableau de bord du système de sécurité). Étiquetez et fixez les câbles dans le boîtier NWH300 ou NWH300C. Demandez à un installateur certifié de raccorder le NM100 au système d'alarme.

TEST

Une fois toutes les connexions effectuées, branchez la fiche d'alimentation du NM100 dans le transformateur NA300TA et fixez la station principale au boîtier avec les deux vis fournies. Si vous utilisez le cadre NF200CWH, NF100CWH ou NF100MWH avec le lecteur NC300, installez la station principale au-dessus du cadre. Ne serrez pas trop les vis ou risque de déformer ou de fendre le plastique. Installez le panneau de haut-parleur sur la station, tel qu'illustré.

N'appuyez que sur les coins du panneau de haut-parleur et non au milieu. Vérifiez toutes les fonctions selon les directives du Manuel de l'utilisateur accompagnant la station principale. En cas de difficulté, revérifiez les connexions. Si après cette vérification vous ne parvenez pas à résoudre le problème, contactez l'assistance technique au 1 888 336-6151.



Panneau de haut-parleur

ANNEXE A – SYSTÈMES NUTONE

NuTone Part Number	NuTone IM:IMA-3303	NuTone IM:IMA-4406	NuTone IM-3204
NM200WH		X	
NM100WH	X		X
NRS200WH		X	
NPS200WH		X	
NRS103WH	X		
NPS103WH	X		
NRS104WH			X
NPS104WH			X
NC300WH	X	X	X
NF200CWH	*	*	*
NF100MWH	X	X	X
NF100CWH			
NF300RWH	X	X	X
NF300DWH	X	X	X
NWH300	X	X	X
NWH300C	*	*	*
NRKR200R			
NRKF200P			
NRKS200PWH	X	X	X
NA3003C, NA3008C	X	X	X
NDB300WH	X	X	X
NDB300BB	X	X	X
NDB300AB	X	X	X

*Reportez-vous aux cadres ci-dessous :

- NF100MWH – Remplacement uniquement de la station principale d'un système par la station NM00.
- NF100CWH – Remplacement d'un système combiné par la station principale NM00 et le lecteur de CD NC300.
- NF200CWH – Remplacement de la station principale d'un système par la station NM100 et le lecteur de CD NC300 (nécessite l'agrandissement de l'ouverture du mur)
- NF300RWH – Pour le remplacement de toute station intérieure à distance
- NF300PWH – Pour le remplacement des stations extérieures à distance, encastrées et exposées au soleil
- NRKS200PWH – Pour le remplacement de toute station extérieure à distance montée en surface
- NF300DWH – Pour le remplacement des anciennes stations de porte NuTone, non requis pour le remplacement des stations M&S

Cartographie des systèmes NuTone avec les systèmes IM-3303 ou IM-4406 :

NuTone Systems	IM/IMA-4406	IM/IMA-3303
SM428	X	
2561/2562*	X	
2401/2402	X	
2542	X	
2540/2541	X	
IM/IMA-406	X	
IM/IMA-4006	X	
IM/IMA-303		X
IM/IMA-313		X
IM/IMA-203		X
IM/IMA-2003		X
IM/IMA-3003		X
IM/IMA-3303		X
IM/IMA-3103		X
2067/2068		X
2011/2012		X
2015/2016		X
2053/2054		X
2055/2056		X
2071		X
2031/2032		X
2090/2091		X

*Si le système existant est en boucle ou partiellement en boucle, il ne peut être converti qu'en système IM5000. *Si le système existant est entièrement branché en circuit autonome, il ne peut être converti qu'en système NM200.

ANNEXE B – SYSTÈMES M&S

NuTone Part Number	M&S 602	M&S MC602 with MCP/MDC6	M&S MC702
NM200WH			X
NM100WH	X	X	
NRS200WH			X
NPS200WH			X
NRS103WH			
NPS103WH			
NRS104WH	X	X	
NPS104WH	X	X	
NC300WH	X	X	X
NF200CWH	*		*
NF100MWH	X		X
NF100CWH		X	
NF300RWH	X	X	X
NF300DWH			
NWH300	X		X
NWH300C	*	X	*
NRKR200R			
NRKF200P			
NRKS200PWH	X	X	X
NA3003C, NA3008C	X	X	X
NDB300WH	X	X	X
NDB300BB	X	X	X
NDB300AB	X	X	X

NuTone Part Number	M&S MC702 with MCP/MDC6	M&S 302	M&S MC302 with MCP/MDC6
NM200WH	X		
NM100WH		X	X
NRS200WH	X		
NPS200WH	X		
NRS103WH			
NPS103WH			
NRS104WH		X	X
NPS104WH		X	X
NC300WH	X	X	X
NF200CWH		*	
NF100MWH		X	
NF100CWH	X		X
NF300RWH	X	X	X
NF300DWH			
NWH300		X	
NWH300C	X	*	X
NRKR200R			
NRKF200P			
NRKS200PWH	X	X	X
NA3003C, NA3008C	X	X	X
NDB300WH	X	X	X
NDB300BB	X	X	X
NDB300AB	X	X	X

NuTone Part Number	M&S 440 Series	M&S 500 Series	M&S 40 Series
NM200WH	X	X	X
NM100WH			
NRS200WH	X	X	X
NPS200WH	X	X	X
NRS103WH			
NPS103WH			
NRS104WH			
NPS104WH			
NC300WH	X	X	X
NF200CWH	*	*	*
NF100MWH	X	X	X
NF100CWH			
NF300RWH	X	X	X
NF300DWH			
NWH300	X	X	X
NWH300C	*	*	*
NRKR200R			
NRKF200P			
NRKS200PWH	X	X	X
NA3003C, NA3008C	X	X	X
NDB300WH	X	X	X
NDB300BB	X	X	X
NDB300AB	X	X	X

NuTone Part Number	M&S 250	M&S 300/350	M&S 350A
NM200WH			
NM100WH	X	X	X
NRS200WH			
NPS200WH			
NRS103WH			
NPS103WH			
NRS104WH	X	X	X
NPS104WH	X	X	X
NC300WH	X	X	X
NF200CWH	*	*	*
NF100MWH	X	X	X
NF100CWH			
NF300RWH	X	X	X
NF300DWH			
NWH300	X	X	X
NWH300C	*	*	*
NRKR200R			
NRKF200P			
NRKS200PWH	X	X	X
NA3003C, NA3008C	X	X	X
NDB300WH	X	X	X
NDB300BB	X	X	X
NDB300AB	X	X	X

NuTone Part Number	M&S 44 Series	M&S Model 5 & Model 6	M&S 220/330
NM200WH	X		
NM100WH		X	X
NRS200WH	X		
NPS200WH	X		
NRS103WH		X	
NPS103WH		X	
NRS104WH			X
NPS104WH			X
NC300WH	X	X	X
NF200CWH	*	*	*
NF100MWH	X	X	X
NF100CWH			
NF300RWH	X	X	X
NF300DWH			
NWH300	X	X	X
NWH300C	*	*	*
NRKR200R			
NRKF200P			
NRKS200PWH	X	X	X
NA3003C, NA3008C	X	X	X
NDB300WH	X	X	X
NDB300BB	X	X	X
NDB300AB	X	X	X

NuTone Part Number	M&S 20 Series	M&S 30 Series	M&S Model 150
NM200WH			
NM100WH	X	X	X
NRS200WH			
NPS200WH			
NRS103WH			
NPS103WH			
NRS104WH	X	X	X
NPS104WH	X	X	X
NC300WH	X	X	X
NF200CWH	*	*	*
NF100MWH	X	X	X
NF100CWH			
NF300RWH	X	X	X
NF300DWH			
NWH300	X	X	X
NWH300C	*	*	*
NRKR200R			
NRKF200P			
NRKS200PWH	X	X	X
NA3003C, NA3008C	X	X	X
NDB300WH	X	X	X
NDB300BB	X	X	X
NDB300AB	X	X	X

INSTALACIÓN DEL SISTEMA DE LA SERIE NM100

Página 21

LEA Y CONSERVE ESTAS INSTRUCCIONES

PRECAUCIÓN

PARA REDUCIR EL RIESGO DE INCENDIOS, DESCARGAS ELÉCTRICAS O LESIONES PERSONALES, OBSERVE LAS SIGUIENTES PRECAUCIONES:

1. Lea todas las instrucciones detenidamente antes de instalar o utilizar el sistema NM100.
2. El sistema NM100 debe ser instalado por un instalador o concesionario calificado, y de conformidad con todos los códigos eléctricos y de construcción locales.
3. Para obtener una protección continua contra el riesgo de incendio, reemplace el fusible en el módulo del interruptor de alimentación únicamente con un fusible del mismo tipo, de 3 amperios y 250 voltios.
4. Respete todas las advertencias que se indican en el sistema NM100 y en estas instrucciones. Siga todas las instrucciones de funcionamiento e instalación.

ADVERTENCIA

ESTAS INSTRUCCIONES DE INSTALACIÓN Y MANTENIMIENTO SON PARA USARSE SOLAMENTE POR PERSONAL CALIFICADO. PARA REDUCIR EL RIESGO DE DESCARGAS ELÉCTRICAS, NO LLEVE A CABO NINGÚN OTRO TIPO DE MANTENIMIENTO DISTINTO AL QUE SE INDICA EN LAS INSTRUCCIONES DE FUNCIONAMIENTO, A MENOS QUE USTED TENGA LA CAPACIDAD PARA HACERLO.

- No intente dar mantenimiento al sistema NM100 usted mismo, ya que abrir o retirar las cubiertas puede exponerlo a un voltaje peligroso o a otros peligros. Remita todo mantenimiento a personal de servicio calificado.

El símbolo del relámpago terminado en flecha dentro de un triángulo equilátero sirve para advertir al usuario de la presencia de un "voltaje peligroso" sin aislamiento dentro de la caja del producto, que podría ser de la magnitud suficiente para constituir un riesgo de descarga eléctrica a personas.

El signo de exclamación dentro de un triángulo equilátero sirve para advertir al usuario de la presencia de instrucciones de funcionamiento y mantenimiento importantes en la literatura que acompaña al producto.

- Coloque el sistema alejado de fuentes de calor como radiadores, registros de calor, estufas u otros productos que producen calor.
- No coloque la unidad maestra NM100 ni las estaciones remotas en una pared exterior.
- No exponga el sistema NM100 a la humedad. Si lo hace puede ocasionar el peligro de incendio o descargas eléctricas y anular la garantía.
- No coloque la unidad maestra NM100 o las estaciones remotas en ninguna cavidad de pared con un cableado eléctrico existente en la misma.
- Instale el sistema NM100 después de aplicar el material de cobertura para la pared.

- No exponga los altavoces de la estación remota para exteriores a un contacto considerable con agua. Los altavoces remotos para exteriores son resistentes a la intemperie, pero no impermeables. La exposición directa y continua con el agua causará problemas en el sistema.
- No lo conecte a un cable de estación de puerta o remota si no está seguro de su punto de terminación. Conectar una estación de puerta a una estación remota puede ocasionar daños al sistema.
- Asegúrese de que se hayan seguido todas las instrucciones de empalme antes de energizar el sistema NM100.
- No empalme los cables. Los empalmes no son confiables y anulan la propiedad de aislamiento de la señal del cable.
- No conecte dispositivos no autorizados para utilizarse con este sistema. Los dispositivos autorizados incluyen:
Componentes de audio que estén conectados a través de una entrada de nivel de línea
Reproductor de 6 discos NC300
- Si se han tendido cables extras para añadir altavoces en el futuro, debe tener cuidado de asegurar que estos cables no estén conectados a la unidad maestra NM100. Los cables sin terminación (que no sean de estación) conectados a la unidad maestra NM100 pueden ocasionar una retroalimentación eléctrica que dañará la estación maestra.
- No apriete demasiado los tornillos de las estaciones remotas o maestra, ya que los paneles de frente de plástico podrían agrietarse o desprenderse.
- Utilice solamente piezas de repuesto certificadas de NuTone y solicite a un instalador o concesionario de NuTone que las instale. Las sustituciones no autorizadas pueden ocasionar un incendio, una descarga eléctrica u otros peligros.
- Al finalizar todo mantenimiento o la reparación de un producto, solicite al instalador o concesionario que lleve a cabo una inspección de seguridad para verificar que el sistema esté en condiciones adecuadas de funcionamiento.
- Utilice únicamente un paño húmedo para limpiar las estaciones remotas y la estación maestra NM100. NO utilice limpiadores líquidos ni en aerosol.

PRECAUCIÓN: CABLEADO

- Un electricista calificado debe tender una línea de 120 VCA a los transformadores de conversión NM100.
- Los tendidos de cable individual no deben superar los 350 PIES (107 m) de cable desde cualquier estación remota única a la estación maestra NM100 o los 1000 pies (305 m) totales para todo el sistema.
- Etiquete todos los tendidos de cableado. Conectar los cables a la estación maestra NM100, estación remota o estaciones de puerta de forma incorrecta podría provocar daños al sistema.
- Tienda un solo cable de la ubicación de la unidad maestra hasta cada estación remota y de puerta de manera "centralizada". No haga un bucle con el cable desde una estación remota a otra.
- No engrape los cables. Las grapas provocan cortocircuitos.
- No empalme los cables. Los empalmes no son confiables y anulan las propiedades de aislamiento de la señal de los cables.

- No tienda cables eléctricos a través de los empalmes. Si encuentra cables de 120 VCA tendidos a través de un empalme durante una conversión, deberá solicitar a un electricista calificado que vuelva a tender los cables alrededor del empalme.
- Mantenga los cables alejados por lo menos 18 pulg. (46 cm) de lámparas fluorescentes, controles atenuadores de luz y todos los demás cables. Esto incluye el cableado del AC, cables de seguridad, unidades de teléfono inalámbrico y demás cables de control. Estos pueden provocar un sonido de zumbido.
- Mantenga los cables alejados de objetos como conductos de calefacción y aire acondicionado, placas de construcción metálicas y cualquier otro objeto con bordes afilados que pudiera dañar los cables.

PRECAUCIÓN: EMPALME DE LA ESTACIÓN REMOTA

Se debe prestar atención especial al determinar la ubicación de las estaciones remotas y maestra. Debido a que este es un sistema de conversión, no le será posible controlar la ubicación del sistema existente. Siga las guías que aparecen a continuación si va a instalar en nuevas ubicaciones:

- No instale estaciones remotas en conductos de aire de retorno.
- No instale estaciones remotas en paredes exteriores. Los materiales aislantes alterarán la eficiencia y el alcance del altavoz. Los cambios de temperatura en la pared disminuirán la vida útil del altavoz.
- No instale estaciones remotas en saunas. No resistirán el calor y la humedad excesivos.
- No instale estaciones remotas en las cavidades de los montantes con otros electrodomésticos o cables.
- No instale estaciones remotas a 18 pulg. (46 cm) de distancia de atenuadores, lámparas fluorescentes, cables de seguridad, unidades de teléfono inalámbricos y otros cables de control.
- No instale estaciones remotas a 10 pies (3 m) de otras estaciones remotas o de la unidad maestra NM100. Esto provocará retroalimentación acústica.
- No instale estaciones remotas en cavidades de montantes con otras estaciones remotas o la unidad maestra NM100. Esto provocará retroalimentación acústica.
- No instale estaciones remotas orientadas hacia otras estaciones remotas o a la unidad maestra NM100. Esto provocará retroalimentación acústica.
- Asegúrese de que todos los empalmes estén nivelados y orientados según se muestra en estas instrucciones.

INSTALACIÓN

El NM100, diseñado para actualizar sistemas de interfono antiguos, es un sistema de comunicaciones y música para toda la casa que utiliza el sistema de cableado de 3 ó 4 conductores del interfono existente. Está diseñado para ofrecer años de deleite y servicio al propietario de la casa.

Para garantizar que el propietario de la casa reciba la reproducción de voz y la música de alta calidad que el sistema fue diseñado para ofrecer, es importante que todos los pasos de la instalación se realicen con cuidado. En caso de que necesite ayuda durante la instalación y resolución de problemas, llame a nuestro personal técnico al 1-888-336-6151.

Antes de instalar el sistema NM100, lea y siga las instrucciones importantes de seguridad.

La instalación del sistema de conversión NM100 se completa siguiendo los siguientes pasos:

- Elaboración del estimado de trabajo
- Retiro del sistema de interfono antiguo
- Instalación del empalme NWH300 o NWH300C
- Reemplazo de las estaciones remotas (nota: no quite los empalmes de la estación remota existentes)
- Instalación del reproductor NC300 opcional
- Instalación de la unidad maestra NM100 y todas las conexiones de las estaciones remotas
- Prueba del sistema

Las siguientes herramientas son necesarias para la instalación del NM100. La utilización de estas u otras herramientas dependerá de la instalación del sistema de interfono existente:

- Desarmador Phillips #2
- Cortador/desforrador de cables
- Cinta métrica
- Nivel
- Tijeras para chapa
- Multímetro digital (dmm)
- Desarmador pequeño (o de precisión) de cabeza plana o Philips
- Taladro automático con broca de 1 pulg. (25 mm)
- Palanca pequeña
- Desarmador grande de cabeza plana
- Mazo de hule
- Cable de extensión
- Cíncel para madera
- Sierra para tablaroca

Tal vez no necesite usar todas estas herramientas en cada instalación, pero tenerlas a la mano facilitará el proceso de instalación en general.

ELABORACIÓN DEL ESTIMADO DE TRABAJO

Es crucial que determine la complejidad de cada instalación de conversión antes de elaborar el estimado de trabajo. Es muy difícil predecir todas las situaciones particulares a las que se enfrentará en el campo. Por este motivo, NuTone recomienda que visite el lugar de cada conversión antes de elaborar un estimado de trabajo y de hacer los pedidos de equipo. Durante esta visita es recomendable que lleve a cabo los puntos que se enumeran a continuación:

- Determine el número de modelo y fabricante del sistema de interfono existente.
- Cuente la cantidad de estaciones remotas y estaciones de puerta.
- Determine si las estaciones de puerta y remotas para exteriores están montadas en la superficie o al ras.
- Retire la unidad maestra de la pared para detectar si pudiera haber situaciones de instalación fuera de lo estándar, tales como:
 - Tendido eléctrico a través del empalme.
 - Cables telefónicos tendidos a través del empalme.
 - Separación de los montantes distinta a 16 pulg. (41 cm) de centro a centro.
 - El tipo de cable utilizado para los tendidos remoto para interiores, de puerta y estaciones remotas para exteriores (NuTone, M&S u otro como el del cable del teléfono). En caso de que encuentre un cable no estándar, comuníquese con nuestro equipo de apoyo técnico al 1-888-336-6151 para recibir asistencia.
 - Un transformador remoto.
 - Un timbre de la puerta remoto.

Las respuestas obtenidas de la información anterior le ayudarán en la delimitación, valoración e instalación del sistema de conversión.

CÓMO RETIRAR EL SISTEMA ANTIGUO

Antes de quitar el sistema de interfono existente, asegúrese de que toda la energía eléctrica esté desconectada en el lugar del interfono. Retire los tornillos de la unidad maestra del interfono y al ir quitando el interfono, asegúrese de etiquetar cuidadosamente cada cable con el lugar de la habitación correspondiente. Desconecte todos los cables de las estaciones de puerta y remotas de la unidad maestra. A continuación retire con cuidado la cubierta de pared y los transformadores existentes.

Si el sistema actual no funcionaba antes del reemplazo, verifique que todos los tendidos de cables entre las estaciones remotas y la maestra no presenten cortocircuitos y que estén íntegros. Si alguno de estos tendidos de las estaciones remotas a la maestra tiene un cortocircuito, vuelva a tender ese cable antes de instalar la unidad NM100. Al reemplazar tendidos de 3 cables NuTone, utilice un cable IWA3 de NuTone. Al reemplazar tendidos de 4 cables M&S o NuTone, utilice un cable NW4S de NuTone.

Nota: Si encuentra un cable de 120 VCA tendido a través del empalme existente, deberá solicitar a un electricista calificado que lo vuelva a tender, alrededor del empalme.

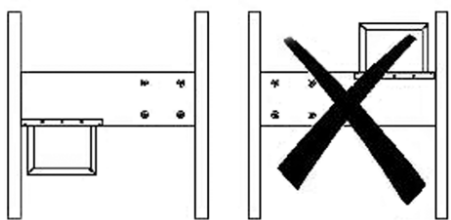
Si encuentra un transformador remoto, podría ser necesario que un electricista calificado haga un tendido eléctrico adicional para energizar la estación maestra o el reproductor de CD opcional. También verifique que el área alrededor de la cubierta esté libre de cualquier tendido de 120 VCA adicional o cualquier otra obstrucción.

INSTALACIÓN DEL EMPALME

Los empalmes NWH300 y NWH300C están diseñados para montantes de 16 pulg. (40.6 cm) de separación. En las aplicaciones de conversión podría toparse con una separación de montantes diferente a este estándar. Utilice el empalme NWH300 cuando vaya a reemplazar un sistema existente con un sistema único de interfono. El empalme NWH300C se utiliza únicamente para sistemas de combinación que utilizan la unidad maestra NM100 y el reproductor de CD de 6 discos opcional NC300.

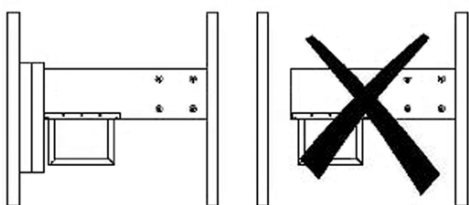
Ubique los empalmes NWH300 o NWH300C. El empalme debe estar colocado de forma que los transformadores estén en la parte inferior del empalme como se muestra en la figura de abajo.

Orientación del transformador



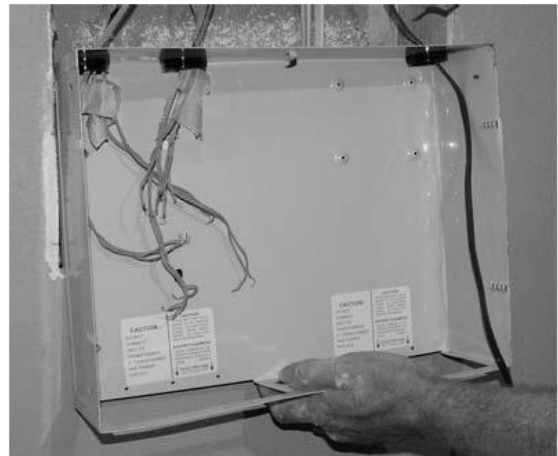
CORRECTA ¡INCORRECTA!

Fijo en ambos lados

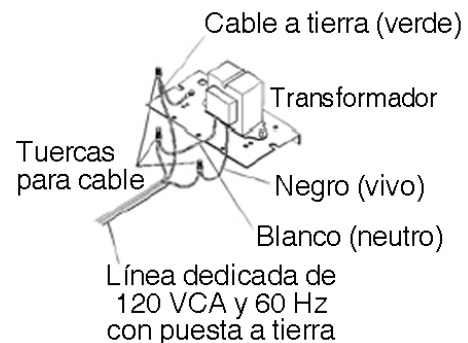


CORRECTA ¡INCORRECTA!

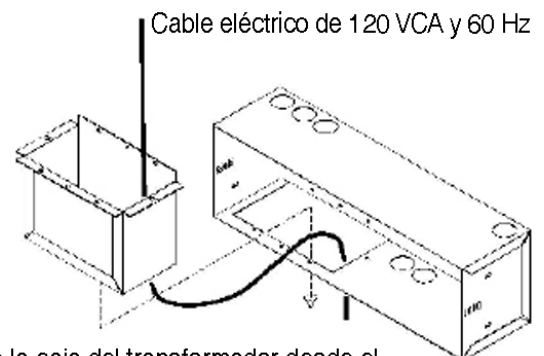
Si va a reemplazar el sistema único maestro existente con una combinación de unidad maestra NM100 y cambiador de CD NC300, deberá cortar la abertura del empalme más grande para colocar el empalme más grande. Antes de realizar el corte, verifique que la cavidad del montante no presente obstrucciones ni artículos en la pared que puedan evitar que los transformadores se ajusten en la pared. Los transformadores NWH300 y NWH300C se ajustan desde la parte inferior del empalme. Consulte la figura siguiente para la colocación del empalme.



Conecte la línea dedicada existente de 120 VCA/60 Hz con la conexión a tierra desde el panel de alimentación hasta el empalme, como se muestra a continuación. El NM100 requiere de una fuente de alimentación dedicada para garantizar que no haya interferencia con otros equipos provocada por circuitos de alimentación en bucle. La conexión a tierra es necesaria para obtener una recepción de radio adecuada.

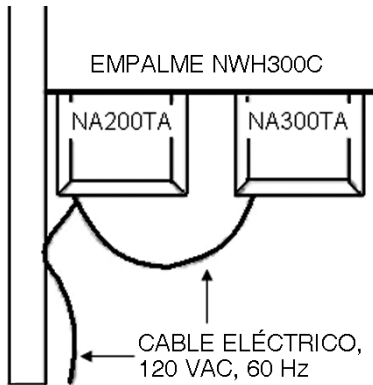


Coloque la caja del transformador desde el interior de la cubierta de pared hasta la abertura de la caja del transformador en la parte inferior del empalme, como se muestra abajo.



Instale la caja del transformador desde el INTERIOR del empalme NWH300

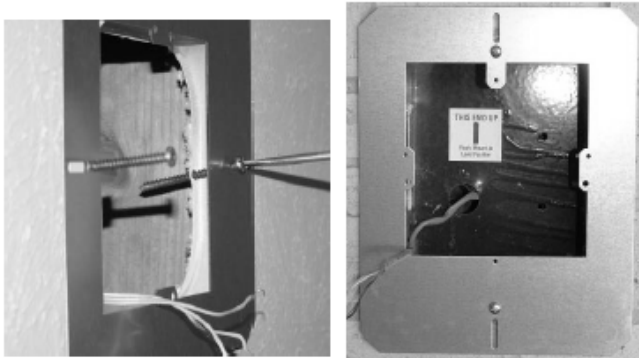
Para el empalme de combinación de CD y estación maestra NWH300C, solicite a un electricista calificado que haga un bucle de un cable de alimentación desde la caja del transformador NA200TA hasta la caja del transformador NA300TA, siguiendo el mismo procedimiento descrito anteriormente y que se muestra en la siguiente figura.



REEMPLAZO DE LAS ESTACIONES DE HABITACIÓN

Las estaciones de puerta y remotas utilizan el cable existente y los marcos o cajas de montaje de los empalmes de las estaciones. Para reemplazar la estación debe retirar la estación vieja. Deje los empalmes de la estación remota o de puerta existentes en su lugar.

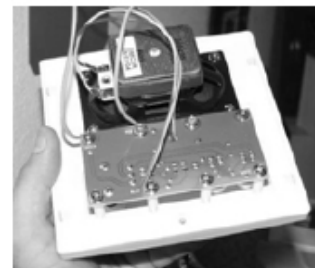
Después de retirar la estación remota, verifique la integridad del tendido del cable. A continuación instale la placa de montaje desde el marco NF300RWH. Alinee la placa en la pared ya sea vertical u horizontalmente, de manera que los orificios de los tornillos se alineen con los de la caja o empalme. Utilice un nivel para asegurarse de que la placa esté nivelada. Hay varias ubicaciones para los orificios de los tornillos en la placa de montaje, de forma que puede fijarse a diversos diseños de placas. Monte la placa en la pared utilizando los tornillos incluidos.



A continuación conecte los cables a la estación remota de conversión. Haga coincidir los colores del cable a las ubicaciones de tornillo correspondientes en las estaciones remotas NRS103WH o NRS104WH. Asegúrese de utilizar solamente estaciones remotas NRS103WH en una instalación de 3 cables y estaciones remotas NRS104WH en una instalación de 4 cables. Todas las instalaciones de 6 cables utilizan las estaciones remotas NRS200WH. Consulte en el apéndice A un diagrama en el que los sistemas M&S y NuTone definen las configuraciones de cableado de 3, 4 ó 6 cables (requiere la estación maestra NM200). Consulte en las dos tablas siguientes el diagrama de cableado de la unidad NM100:

Instalaciones de tres cables

CONEXIÓN NM100	CABLE IWA3 NUTONE	FUNCIÓN DEL CABLE
Negro	Cable de plata exterior o tira roja	Mic. del interfono Control y entrada de audio
Rojo	Cable central	Tierra
Verde	Cable de cobre exterior o tira azul	Altavoz Salida/monitor Entrada del mic.



Instalaciones de cuatro cables

NM100	NUTONE 4	M&S 4	FUNCIÓN DEL CABLE
Blanco	Cable tira azul	Cable gris exterior de plata	Entrada de audio mic. del interfono
Negro	Cable gris/cobre	Cable gris exterior de cobre siguiente	Control del interfono
Rojo	Cable plata/gris	Cable gris exterior de cobre siguiente	Tierra
Verde	Cable tira roja	Cable tira roja exterior de cobre exterior	Salida de altavoz/ entrada mic. del monitor
NM100	CABLE M&S MS4XSC	CABLE NUTONE NW4S	FUNCIÓN DEL CABLE
Blanco	Blanco	Rojo	Entrada de audio mic. del interfono
Negro	Negro	Negro	Control del interfono
Rojo	Rojo	Naranja	Tierra
Verde	Verde	Amarillo	Salida de altavoz/ entrada mic. del monitor

Conecte la estación remota al cableado existente utilizando los diagramas de arriba. Coloque la estación remota a través del marco de montaje de plástico NF300RWH. Coloque el marco ya sea vertical u horizontalmente según la estación remota reemplazada.

Coloque la estación remota en el anillo del empalme y alinee el marco con la estación remota. Utilice los tornillos incluidos con la estación remota para atornillar la estación remota y el marco en su lugar. Los orificios en la estación remota se alinean con los orificios de la placa de montaje. La estación remota mantiene el marco de plástico en posición en la pared.



Tome en cuenta que los marcos de plástico se pueden pintar. Primero aplique una capa de imprimación al plástico y a continuación aplique pintura estándar para habitación. El plástico blanco tal vez requiera de dos capas de pintura para una cobertura completa. Se recomienda que pinte el marco antes de montarlo en la pared.

Importante: Etiquete todos los cables en ambos extremos. Los cables mal conectados a las estaciones maestra, remotas o de puerta pueden ocasionar daños al sistema.

ESTACIONES REMOTAS PARA EXTERIORES

No quite los empalmes existentes de la estación remota. El sistema de conversión NuTone está diseñado para caber en la caja existente. Es importante recordarle que las estaciones remotas para exteriores son resistentes a la intemperie, pero no son impermeables. Estas estaciones no se deben ubicar en un área que esté en línea directa de agua proveniente de rociadores, lluvia o de otros dispositivos como lavadoras a presión.

Utilice el marco NF300PWH en el exterior y en áreas de mucho sol. El plástico del NF300PWH está diseñado para resistir el sol y la decoloración. Si requiere una aplicación para montaje en superficie para un patio, utilice el NRKS200PWH. Se trata de una caja de montaje para superficie y una cubierta para sostener las estaciones remotas NPS200WH, NPS103WH o NPS104WH.

Para instalar una estación remota para exteriores, siga las instrucciones provistas anteriormente para la instalación de estaciones remotas para interiores.

ESTACIONES DE PUERTA

Retire la estación de puerta vieja pero no quite la caja del empalme o la caja de montaje para superficie. Al reemplazar una estación de puerta NuTone, debe utilizar el marco de montaje NF300DWH. La estación de puerta M&S se asienta en el marco NF300DWH y los tornillos la fijan en el empalme existente. Conecte las estaciones de puerta utilizando los cables de color adecuados. Atornille la estación de puerta o la estación de puerta con el marco NF300DWH en la caja del empalme.



FUENTE DE MÚSICA EXTERNA

El sistema de conversión es compatible con el uso de fuentes externas de música. Puede utilizar una conexión existente o tender un cable nuevo para facilitar la conexión de una fuente local. Para instalar una nueva fuente local siga los pasos descritos en los párrafos siguientes.

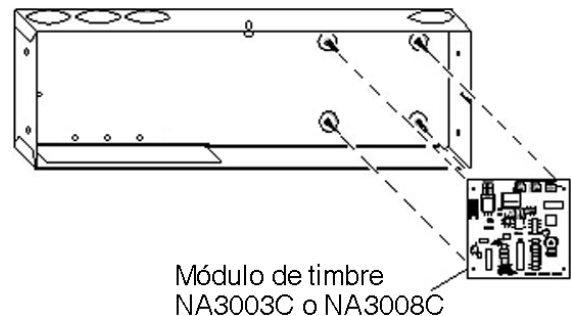
Elija un sitio para la placa de pared de audio IA30WH que sea de fácil acceso para las fuentes que vayan a conectarse al sistema (cerca del receptor, la TV o el DVD, por ejemplo). Nota: el tendido del cable para la fuente externa del NM100 no debe ser superior a los 50 pies (15 m).

En este mismo sitio, fije una caja de toma única incluida con el empalme IR30K al montante de pared, a una altura central de los tomacorrientes de pared normales. Utilice un anillo de yeso para bajo voltaje en las instalaciones de construcción existentes.

Asegúrese de que la caja de toma única se extienda más allá del montante de la pared y hacia dentro de la habitación, de forma que esté al ras de la tablaroca cuando se coloque. Tienda los cables de audio rojo y blanco blindados (incluidos con el IR30K) desde el lugar de la unidad maestra hasta la ubicación de la placa de pared de audio IA30WH. Conecte los cables.

INSTALACIÓN DEL MÓDULO DEL TIMBRE

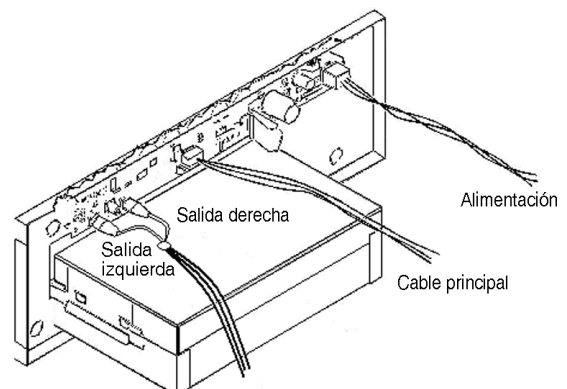
Instale el módulo de timbre opcional NA3003C o NA3008C en el empalme presionando el módulo del timbre sobre los cuatro separadores de plástico acoplados al empalme, como se muestra en la figura siguiente. Consulte las instrucciones incluidas con el módulo del timbre.



INSTALACIÓN DEL CAMBIADOR DE CD NC300

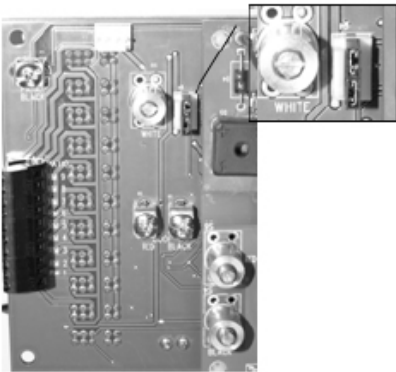
Conecte los cables de audio a los conectores de audio del reproductor NC300, como se indica en la figura de abajo. Después de conectar los cables de audio y el cable principal, conecte el cable de alimentación desde el transformador NA20TA al conector de alimentación del cambiador de CD NC300. Consulte el manual de instalación incluido con el cambiador de CD NC300.

Asegurándose de que no haya nada entre el reproductor de CD y la parte posterior del empalme (incluso cables), coloque el reproductor NC300 en la abertura inferior de los marcos que incluyen los marcos NF200C o NF100C. Utilice los tornillos incluidos para fijar la unidad en posición.

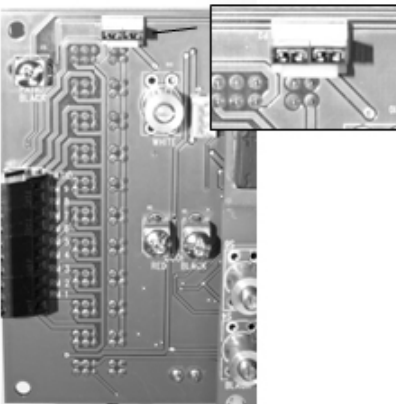


INSTALACIÓN DEL NM100

El NM100 se envía configurado para un sistema de conversión de 3 cables. Si va a reemplazar un sistema de 4 cables, deberá cambiar la configuración del puente en la unidad maestra NM100. El cambio del puente se debe llevar a cabo antes de la conexión de cualquier cable. Para cambiar los puentes, solamente debe quitarlos de las conexiones existentes que se muestran en la figura siguiente.

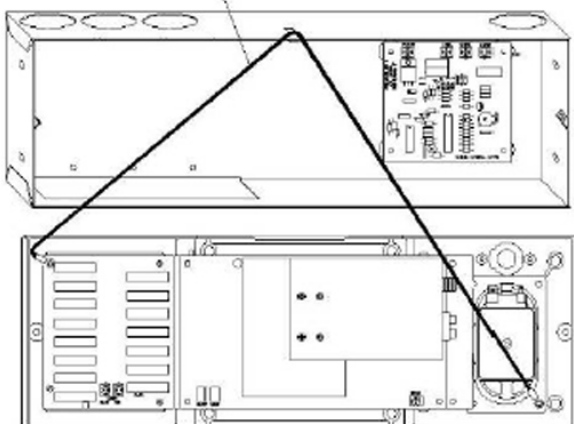


Coloque los puentes que acaba de desconectar en la posición de 4 cables que se muestra en la figura siguiente.



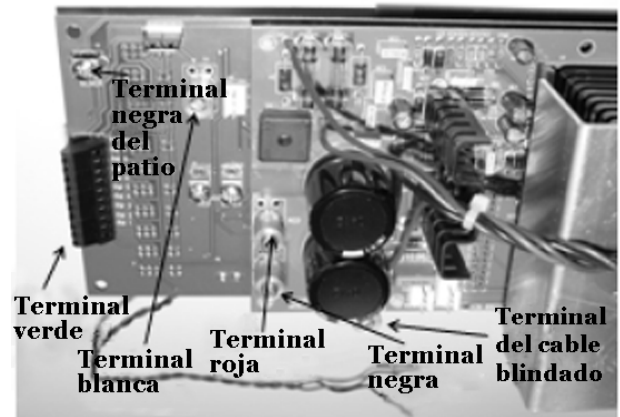
Cuelgue la unidad maestra desde el empalme haciendo un bucle en el conjunto del cable de soporte (cable verde grueso) en el gancho en la parte posterior del empalme. Tenga cuidado de no dañar la pared.

Conjunto del cable de soporte

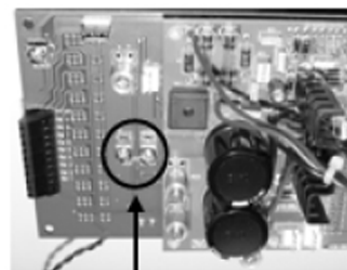


Si el sistema NM100 tiene más de 9 estaciones remotas, algunos interruptores del selector remoto controlarán dos estaciones remotas. Conecte cada cable verde (excepto el verde de la estación remota para exterior/patio) a una sola terminal verde en la unidad maestra. Cada terminal verde numerada corresponde a un interruptor selector de estación remota. Nota: No se pueden conectar más de dos cables verdes a cualquier terminal verde y no se debe sobrepasar de 15 altavoces para el sistema de 4 cables y de 13 altavoces para el sistema de 3 cables. Esta limitación incluye los controles remotos y del volumen, pero no los de las estaciones de puerta. La ubicación de la estación se puede señalar en el interior del panel de acceso de la puerta, en el lado izquierdo de la unidad maestra NM100.

Conecte los cables verdes desde las estaciones remotas para exterior a la terminal verde del patio. Conecte los cables negros remotos para exterior a la terminal negra del patio. Nota: Solamente se pueden conectar dos estaciones remotas para exterior a las terminales del patio. Conecte el cable rojo con los otros cables rojos a la terminal roja. Conecte el cable blanco con los otros cables blancos a la terminal blanca. Consulte la colocación de los cables en la figura que aparece abajo.



Conecte los cables rojo y negro de los cables de la estación de puerta (NW4S) a las terminales de la estación de puerta roja y negra de la unidad maestra NM100, como se indica en la figura siguiente. Cuando utilice el cable blindado NW4S, aisle los cables desnudos con algo del material de revestimiento para evitar un cortocircuito al tablero de circuitos. Conecte este cable a la terminal marcada como blindada. Conecte todos los cables naranja desde las estaciones de puerta de la terminal común en el módulo de timbre NA300C o NA3008C. Conecte cada cable amarillo a una terminal de selección de nota. (No conecte más de un cable amarillo por terminal de nota).



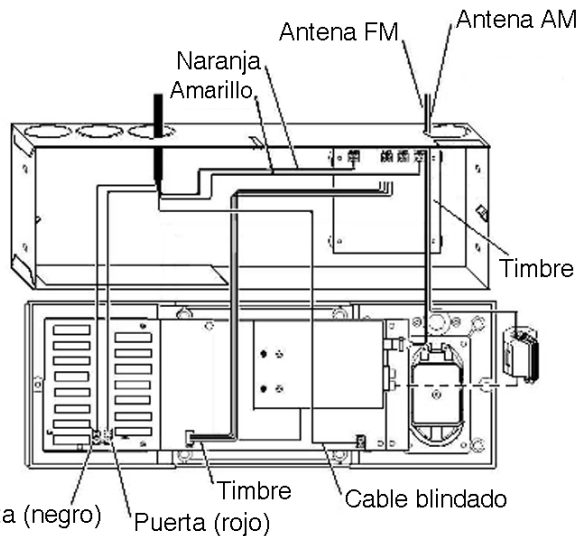
Conexiones del altavoz de puerta

Conecte el enchufe del timbre modular al conector de 4 clavijas etiquetado como TIMBRE en la unidad maestra, como se muestra en la figura siguiente.



Conexión del enchufe del timbre

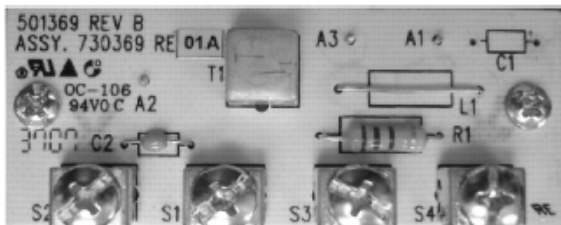
Conecte los cables RCA del reproductor NC300 opcional y el cable de control. Consulte las instrucciones adicionales incluidas con el CD NC300



CONEXIÓN DE LA ANTENA

Separe los cables del interfono de los conductores de la antena; si están agrupados, los cables del interfono pueden blindar los conductores de la antena y ocasionar una recepción deficiente del radio. Mantenga los conductores de la antena alejados de conductos metálicos y aislantes de aluminio reforzado, pues éstos también pueden blindar los conductores de la antena.

La cantidad y estilo de conductores de la antena varía, dependiendo del sistema de interfono que se va a reemplazar. El sistema NM100 está diseñado para utilizar la antena existente. Consulte la figura siguiente.



Siga los pasos a continuación para acoplar la antena de conductor de dos hilos y 300 ohmios de NuTone al NM100.

Si la antena tiene un enchufe en el extremo, córtelo.

1. Quite el aislamiento de los dos extremos de los hilos
2. Conecte los extremos del cable a las terminales S1 y S2 en la placa de la antena

3. Conecte un cable puente desnudo (un cable para altavoz calibre 22 funciona bien) entre las terminales S3 y S4.

Siga los pasos a continuación para conectar un sistema de antena AM/FM separado con un cable de antena AM naranja y un conductor FM de doble hilo FM de 300 ohmios.

1. Conecte los conductores de doble hilo FM a las terminales S1 y S2 de la placa
2. Conecte la antena AM (cable naranja) a la terminal S4
3. La terminal S3 no se utiliza en esta configuración

Siga los pasos a continuación para conectar un sistema único de antena de cable naranja

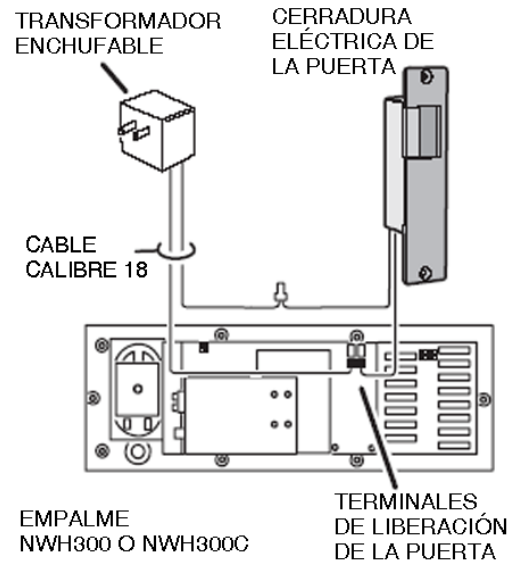
1. Conecte el cable naranja a la terminal S1 o a la S2. Nota: No conecte el cable a las dos terminales S1 y S2, pues hacerlo pondrá en corto circuito la señal de la antena FM.
2. Conecte un cable puente desnudo (un cable para altavoz calibre 22 funciona bien) entre las terminales S3 y S4.

OPCIONES DE LIBERACIÓN DE PUERTA

La opción de liberación de puerta es un cierre de contacto seco suministrado por la unidad maestra NM100. Este contacto seco tiene una capacidad nominal de 24 V y 2 A. Las aplicaciones de muestra que aparecen a continuación representan algunos usos para esta opción. Sin embargo, se puede utilizar una sola aplicación a la vez en cualquier sistema NM100.

MECANISMO DE LIBERACIÓN DE PUERTA O REJA

Tienda una línea única de cable de bajo voltaje aprobado de par trenzado en cobre sólido, calibre 18, desde el empalme del NWH300 o NWH300C hasta el mecanismo de liberación de la puerta. Conecte los dos cables desde el cable de cobre sólido calibre 18 a las dos terminales del cable del mecanismo de liberación de la puerta.



Tienda otra línea única de cable de bajo voltaje aprobado de par trenzado en cobre sólido, calibre 18, desde la ubicación del empalme NWH300 o NWH300C a la caja de toma única junto al receptáculo de 120 VCA en donde se enchufará el transformador de liberación de la puerta/reja remota. Etiquete y asegure todos los cables en el empalme.

Los contactos del interruptor de liberación de puerta son muy versátiles y se pueden utilizar con diversos contactos de interruptor o de puerta de CA/CC. Asegúrese de utilizar el cable y el suministro de alimentación o transformador especificado para el producto de liberación de puerta o reja a utilizar.

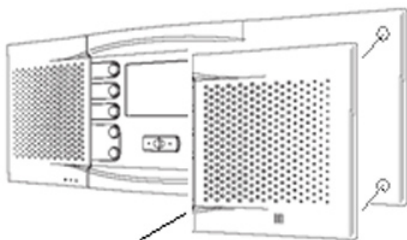
INTERFAZ DE LA FUNCIÓN DE PÁNICO CON UN SISTEMA DE SEGURIDAD

Tienda una línea de cable de bajo voltaje aprobado de par trenzado en cobre sólido, calibre 18, desde la ubicación del empalme NWH300 o NWH300C al panel de control de seguridad. Configure el panel de seguridad para aceptar un contacto seco normalmente abierto para la función de pánico. (Consulte los procedimientos de programación que se incluyen con el panel de seguridad.) Etiquete y fije los cables en el empalme NWH300 o NWH300C. Solicite a un instalador de sistemas de seguridad certificado que conecte el NM100 al sistema de alarma.

PRUEBA

Después de haber realizado todas las conexiones, introduzca el enchufe de alimentación NM100 en el transformador NA300TA y fije la unidad maestra al empalme con los dos tornillos incluidos. Si va a utilizar el marco NF200CWH, NF100CWH o NF100MWH con el reproductor NC300, instale la unidad maestra sobre el marco. No apriete demasiado los tornillos, pues el plástico podría deformarse o agrietarse. Instale el panel del altavoz sobre la unidad maestra como se muestra.

Tenga cuidado de aplicar presión solamente en las esquinas del panel del altavoz y no en el medio. Verifique todas las funciones siguiendo las guías indicadas en el Manual del propietario que se incluye con la unidad maestra. Si se presenta algún problema, vuelva a comprobar todas las conexiones. Si después de revisar estas instrucciones no le es posible resolver algún problema, comuníquese con nuestro equipo de apoyo técnico al 888-336-6151.



Panel del altavoz

APÉNDICE A – SISTEMAS NUTONE

NuTone Part Number	NuTone IM:IMA-3303	NuTone IM:IMA-4406	NuTone IM-3204
NM200WH		X	
NM100WH	X		X
NRS200WH		X	
NPS200WH		X	
NRS103WH	X		
NPS103WH	X		
NRS104WH			X
NPS104WH			X
NC300WH	X	X	X
NF200CWH	*	*	*
NF100MWH	X	X	X
NF100CWH			
NF300RWH	X	X	X
NF300DWH	X	X	X
NWH300	X	X	X
NWH300C	*	*	*
NRKR200R			
NRKF200P			
NRKS200PWH	X	X	X
NA3003C, NA3008C	X	X	X
NDB300WH	X	X	X
NDB300BB	X	X	X
NDB300AB	X	X	X

*Consulte los marcos que se indican a continuación:

- NF100MWH – Para reemplazar un sistema único maestro con una unidad maestra NM100
- NF100CWH – Para reemplazar un sistema de combinación con una unidad maestra NM100 y reproductor de CD NC300
- NF200CWH – Para reemplazar un sistema único maestro con una unidad maestra NM100 y reproductor de CD NC300 (requiere que el agujero en la pared se haga más grande)
- NF300RWH – Se utiliza en todos los reemplazos de estaciones remotas para interiores
- NF300PWH – Se utiliza en todos los reemplazos de estaciones remotas al ras en áreas de mucho sol o para exteriores
- NRKS200PWH – Se utiliza en todos los reemplazos de estaciones remotas para exterior de montaje en superficie
- NF300DWH – Se utiliza en reemplazos de estaciones NuTone viejos, no es necesario para los reemplazos N&S

Los sistemas NuTone que aparecen a continuación definen las configuraciones de los sistemas IM-3303 o IM-4406:

NuTone Systems	IM/IMA-4406	IM/IMA-3303
SM428	X	
2561/2562*	X	
2401/2402	X	
2542	X	
2540/2541	X	
IM/IMA-406	X	
IM/IMA-4006	X	
IM/IMA-303		X
IM/IMA-313		X
IM/IMA-203		X
IM/IMA-2003		X
IM/IMA-3003		X
IM/IMA-3303		X
IM/IMA-3103		X
2067/2068		X
2011/2012		X
2015/2016		X
2053/2054		X
2055/2056		X
2071		X
2031/2032		X
2090/2091		X

*Si el sistema existente está en bucle, o parcialmente cableado en bucle, sólo se puede convertir al sistema IM5000. Si el sistema actual está completamente cableado de forma centralizada, se puede convertir a un sistema NM200.

APÉNDICE B – SISTEMAS M&S

NuTone Part Number	M&S 602	M&S MC602 with MCP/MDC6	M&S MC702
NM200WH			X
NM100WH	X	X	
NRS200WH			X
NPS200WH			X
NRS103WH			
NPS103WH			
NRS104WH	X	X	
NPS104WH	X	X	
NC300WH	X	X	X
NF200CWH	*		*
NF100MWH	X		X
NF100CWH		X	
NF300RWH	X	X	X
NF300DWH			
NWH300	X		X
NWH300C	*	X	*
NRKR200R			
NRKF200P			
NRKS200PWH	X	X	X
NA3003C, NA3008C	X	X	X
NDB300WH	X	X	X
NDB300BB	X	X	X
NDB300AB	X	X	X

NuTone Part Number	M&S MC702 with MCP/MDC6	M&S 302	M&S MC302 with MCP/MDC6
NM200WH	X		
NM100WH		X	X
NRS200WH	X		
NPS200WH	X		
NRS103WH			
NPS103WH			
NRS104WH		X	X
NPS104WH		X	X
NC300WH	X	X	X
NF200CWH		*	
NF100MWH		X	
NF100CWH	X		X
NF300RWH	X	X	X
NF300DWH			
NWH300		X	
NWH300C	X	*	X
NRKR200R			
NRKF200P			
NRKS200PWH	X	X	X
NA3003C, NA3008C	X	X	X
NDB300WH	X	X	X
NDB300BB	X	X	X
NDB300AB	X	X	X

NuTone Part Number	M&S 440 Series	M&S 500 Series	M&S 40 Series
NM200WH	X	X	X
NM100WH			
NRS200WH	X	X	X
NPS200WH	X	X	X
NRS103WH			
NPS103WH			
NRS104WH			
NPS104WH			
NC300WH	X	X	X
NF200CWH	*	*	*
NF100MWH	X	X	X
NF100CWH			
NF300RWH	X	X	X
NF300DWH			
NWH300	X	X	X
NWH300C	*	*	*
NRKR200R			
NRKF200P			
NRKS200PWH	X	X	X
NA3003C, NA3008C	X	X	X
NDB300WH	X	X	X
NDB300BB	X	X	X
NDB300AB	X	X	X

NuTone Part Number	M&S 250	M&S 300/350	M&S 350A
NM200WH			
NM100WH	X	X	X
NRS200WH			
NPS200WH			
NRS103WH			
NPS103WH			
NRS104WH	X	X	X
NPS104WH	X	X	X
NC300WH	X	X	X
NF200CWH	*	*	*
NF100MWH	X	X	X
NF100CWH			
NF300RWH	X	X	X
NF300DWH			
NWH300	X	X	X
NWH300C	*	*	*
NRKR200R			
NRKF200P			
NRKS200PWH	X	X	X
NA3003C, NA3008C	X	X	X
NDB300WH	X	X	X
NDB300BB	X	X	X
NDB300AB	X	X	X

NuTone Part Number	M&S 44 Series	M&S Model 5 & Model 6	M&S 220/330
NM200WH	X		
NM100WH		X	X
NRS200WH	X		
NPS200WH	X		
NRS103WH		X	
NPS103WH		X	
NRS104WH			X
NPS104WH			X
NC300WH	X	X	X
NF200CWH	*	*	*
NF100MWH	X	X	X
NF100CWH			
NF300RWH	X	X	X
NF300DWH			
NWH300	X	X	X
NWH300C	*	*	*
NRKR200R			
NRKF200P			
NRKS200PWH	X	X	X
NA3003C, NA3008C	X	X	X
NDB300WH	X	X	X
NDB300BB	X	X	X
NDB300AB	X	X	X

NuTone Part Number	M&S 20 Series	M&S 30 Series	M&S Model 150
NM200WH			
NM100WH	X	X	X
NRS200WH			
NPS200WH			
NRS103WH			
NPS103WH			
NRS104WH	X	X	X
NPS104WH	X	X	X
NC300WH	X	X	X
NF200CWH	*	*	*
NF100MWH	X	X	X
NF100CWH			
NF300RWH	X	X	X
NF300DWH			
NWH300	X	X	X
NWH300C	*	*	*
NRKR200R			
NRKF200P			
NRKS200PWH	X	X	X
NA3003C, NA3008C	X	X	X
NDB300WH	X	X	X
NDB300BB	X	X	X
NDB300AB	X	X	X

NOTES

Two Year Limited Warranty

WARRANTY OWNER: Broan-NuTone warrants to the original consumer purchaser of its products that such products will be free from defects in materials or workmanship for a period of two (2) years from the date of original purchase. **THERE ARE NO OTHER WARRANTIES, EXPRESS OR IMPLIED, INCLUDING, BUT NOT LIMITED TO, IMPLIED WARRANTIES OF MERCHANTABILITY OR FITNESS FOR A PARTICULAR PURPOSE.**

During this two year period, Broan-NuTone will, at its option, repair or replace, without charge, any product or part which is found to be defective under normal use and service. THIS WARRANTY DOES NOT EXTEND TO FLUORESCENT LAMP STARTERS OR TUBES, FILTERS, DUCT, ROOF CAPS, WALL CAPS AND OTHER ACCESSORIES FOR DUCTING. This warranty does not cover (a) normal maintenance and service or (b) any products or parts which have been subject to misuse, negligence, accident, improper maintenance or repair (other than by Broan-NuTone), faulty installation or installation contrary to recommended installation instructions.

The duration of any implied warranty is limited to the two year period as specified for the express warranty. Some states do not allow limitation on how long an implied warranty lasts, so the above limitation may not apply to you.

BROAN-NUTONE'S OBLIGATION TO REPAIR OR REPLACE, AT BROAN-NUTONE'S OPTION, SHALL BE THE PURCHASER'S SOLE AND EXCLUSIVE REMEDY UNDER THIS WARRANTY. BROAN-NUTONE SHALL NOT BE LIABLE FOR INCIDENTAL, CONSEQUENTIAL OR SPECIAL DAMAGES ARISING OUT OF OR IN CONNECTION WITH PRODUCT USE OR PERFORMANCE. Some states do not allow the exclusion or limitation of incidental or consequential damages, so the above limitation or exclusion may not apply to you. This warranty gives you specific legal rights, and you may also have other rights, which vary from state to state. This warranty supersedes all prior warranties.

WARRANTY SERVICE: To qualify for warranty service, you must (a) notify Broan-NuTone at the address or telephone number below, (b) give the model number and part identification and (c) describe the nature of any defect in the product or part. At the time of requesting warranty service, you must present evidence of the original purchase date.

Date of Installation

Builder or Installer

Model No. and Product Description

IF YOU NEED ASSISTANCE OR SERVICE - CONTACT:

Broan-NuTone LLC Hartford, Wisconsin www.nutone.com 888-336-3948
Broan-NuTone Canada Mississauga, Ontario www.nutone.ca 877-896-1119

Rev. 08/2007

Garantie limitée de deux ans

GARANTIE DU PROPRIÉTAIRE: Broan-NuTone garantie à l'acheteur original de ses produits que ces derniers seront exempts de tout défaut de matériaux et de fabrication pour une période de deux (2) ans à compter de la date d'achat. **AUCUNE AUTRE GARANTIE, IMPLICITE OU EXPRESSE, N'EST DONNÉE, Y COMPRIS, MAIS SANS S'Y LIMITER, GARANTIE DE MARCHANDIBILITÉ OU D'ADAPTATION À UN USAGE PARTICULIER.**

Pendant cette période de deux ans, Broan-NuTone procédera au remplacement ou à la réparation sans aucuns frais, mais à sa propre discrétion, de tout produit ou pièce jugé défectueux dans le cadre d'une utilisation normale. CETTE GARANTIE NE VISE PAS LES DISPOSITIFS D'AMORCAGE NI LES TUBES DES LUMINAIRES FLUORESCENTS. Cette garantie ne couvre pas (a) l'entretien et le service courants ni (b) les produits et les pièces ayant fait l'objet d'un usage abusif, de négligence, d'un accident, d'un entretien ou d'une réparation non appropriée (par du personnel non autorisé par Broan-NuTone) d'une mauvaise installation ou d'une installation non conforme aux directives d'installation fournies.

La durée de toute garantie implicite est limitée à la période de deux ans précisée pour la garantie expresse. Certains états ne reconnaissent pas les restrictions relatives à la durée des garanties implicites; il se pourrait donc que cette restriction ne s'applique pas dans votre cas.

LE REMPLACEMENT OU LA RÉPARATION PAR BROAN-NUTONE, À SA PROPRE DISCRÉTION, DE TOUT PRODUIT OU PIÈCE DÉFECTUEUX CONSTITUE LE SEUL REMÈDE DE L'ACHETEUR EN VERTU DE CETTE GARANTIE. BROAN-NUTONE NE PEUT ÊTRE TENUE RESPONSABLE DES DOMMAGES INDIRECTS, CONSÉCUTIFS OU SPÉCIAUX ATTRIBUABLES À UTILISATION OU AU RENDEMENT DU PRODUIT. Certains états ne reconnaissent pas les restrictions ni les exclusions relatives aux dommages indirects, consécutifs ou spéciaux; il se pourrait donc que cette restriction ne s'applique pas dans votre cas. La présente garantie vous accorde des droits spécifiques, mais vous pourriez aussi avoir d'autres droits en fonction de l'état dans lequel vous résidez. Cette garantie remplace toute autre garantie donnée précédemment.

SERVICE SOUS GARANTIE: Pour être admissible au service sous garantie, vous devez (a) aviser Broan-NuTone, à l'adresse ou au numéro de téléphone ci-dessous, (b) fournir le numéro du modèle et la description de la pièce et (c) décrire la nature défaut de la pièce ou du produit. Au moment de la demande de service sous garantie, vous devez fournir une preuve de la date d'achat originale.

Date d'installation

Entrepreneur ou installateur

N° de modèle et description du produit

POUR OBTENIR DE L'ASSISTANCE OU DU SERVICE - CONTACTEZ:

Broan-NuTone LLC Hartford, Wisconsin www.nutone.com 888-336-3948
Broan-NuTone Canada Mississauga, Ontario www.nutone.ca 877-896-1119

Rev. 08/2007

Garantía limitada de dos años

GARANTÍA DEL PROPIETARIO: Broan-NuTone garantiza al comprador consumidor original de sus productos, por el período de dos (2) años desde la fecha original de compra, que tales productos están libres de defectos en material y mano de obra. **NO HAY OTRAS GARANTÍAS, EXPRESADAS O SOBREENTENDIDAS, INCLUYENDO, PERO NO LIMITADAS A, GRANTÍAS NO EXPRESADAS DE MERCHANTABILITY O ADAPTABLES A UN PROPOSITO EN PARTICULAR.**

Durante este período de dos años, Broan-NuTone reparará o reemplazará a su opción y sin costo, cualquier producto o parte que se encuentre defectuoso bajo condiciones normales de uso y servicio. ESTA GARANTÍA NO CUBRE A LOS ARRANCADORES PARA LÁMPARAS FLUORESCENTES O A LOS TUBOS FLUORESCENTES, FILTROS, DUCTOS, TAPAS DE TECHO, TAPAS DE PARED Y OTROS ACCESORIOS PARA CANALIZACIÓN. Esta garantía no cubre (a) Mantenimiento y servicios normales (b) Productos o partes sujetos al mal uso, negligencia, accidente, mantenimiento inadecuado o reparaciones (por otros ajenos a Broan-NuTone), instalación defectuosa o a una instalación contraria a las instrucciones de instalación recomendadas.

La duración de cualquier garantía no expresada está limitada a un período de dos años según se especifica en la garantía expresada. Algunos estados no permiten limitación en cuanto a la duración de una garantía no expresada, por lo que la limitación arriba indicada puede que no se aplique a Ud.

LA OBLIGACIÓN DE BROAN-NUTONE DE REPARAR O REEMPLAZAR A SU OPCIÓN, SERÁ EL ÚNICO Y EXCLUSIVO RECURSO QUE TENDRÁ EL COMPRADOR BAJO ESTA GARANTÍA. BROAN-NUTONE NO SERÁ RESPONSABLE POR DAÑOS INCIDENTALES, CONSECUENTES O ESPECIALES QUE RESULTEN A CONSECUENCIA O SEAN INDEPENDIENTE DEL USO O DESEMPEÑO DEL PRODUCTO. Algunos estados no permiten la exclusión o limitación de daños incidentales o consecuentes, de modo que la limitación o exclusión arriba indicada pueda que no se aplique a Ud. Esta garantía le proporciona derechos legales específicos, y Ud. puede tener otros derechos, los cuales varían de estado a estado. Esta garantía reemplaza a todas las garantías anteriores.

SERVICIO DE GARANTÍA: Para tener derecho al servicio de garantía, Ud. debe (a) Notificar a Broan-NuTone a la dirección o el número de teléfono abajo, (b) indicar el número de modelo y la identificación de la party y (c) describir la naturaleza de cualquier defecto en la producto o parte. Al momento de solicitar el servicio por la garantía, Ud. debe presentar la evidencia de la fecha original de compra.

Fecha de la instalación

Constructor o instalador

Número de modelo y descripción del producto

SI NECESITA ASISTENCIA O SERVICIO - CONTACTO:

Broan-NuTone LLC Hartford, Wisconsin www.nutone.com 888-336-3948
Broan-NuTone Canada Mississauga, Ontario www.nutone.ca 877-896-1119

Rev. 08/2007